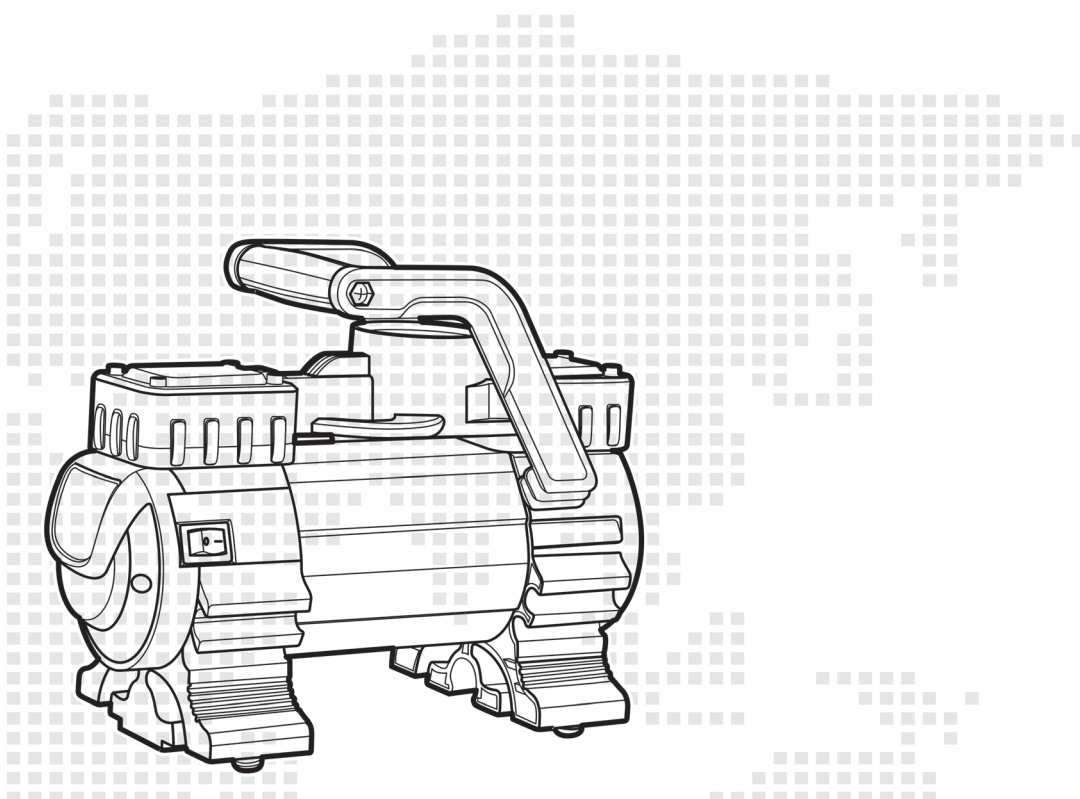


CROWN
TOOLS FOR A BETTER LIFE

■ CT36059

■ CT36060

■ CT36036



- en** Original instructions
- es** Manual original
- ru** Оригинальное руководство по эксплуатации
- ua** Оригінальна інструкція з експлуатації
- kz** Пайдалану нұсқаулығының түпнұсқасы
- ar** دليل المستخدم الأصلي
- fa** دفترچه راهنمای اصلی

Content / Contenido / Содержание / Зміст / Мазмұны / المحتويات / محتوا

English

Explanatory drawings	pages 3 - 8
General safety rules, instructions manual	pages 9 - 12

Español

Dibujos explicativos	páginas 3 - 8
Recomendaciones generales de seguridad, manual de instrucciones	páginas 13 - 16

Русский

Пояснительные рисунки	страницы 3 - 8
Общие указания по ТБ, инструкция по эксплуатации	страницы 17 - 20

Українська

Пояснювальні малюнки	сторінки 3 - 8
Загальні вказівки по ТБ, інструкція з експлуатації	сторінки 21 - 24

Қазақ тілі

Түсіндіргіш әлеміштер	беттер 3 - 8
Жалпы қауіпсіздік жөніндегі ұсыныстар, пайдалану нұсқаулығы	беттер 25 - 28

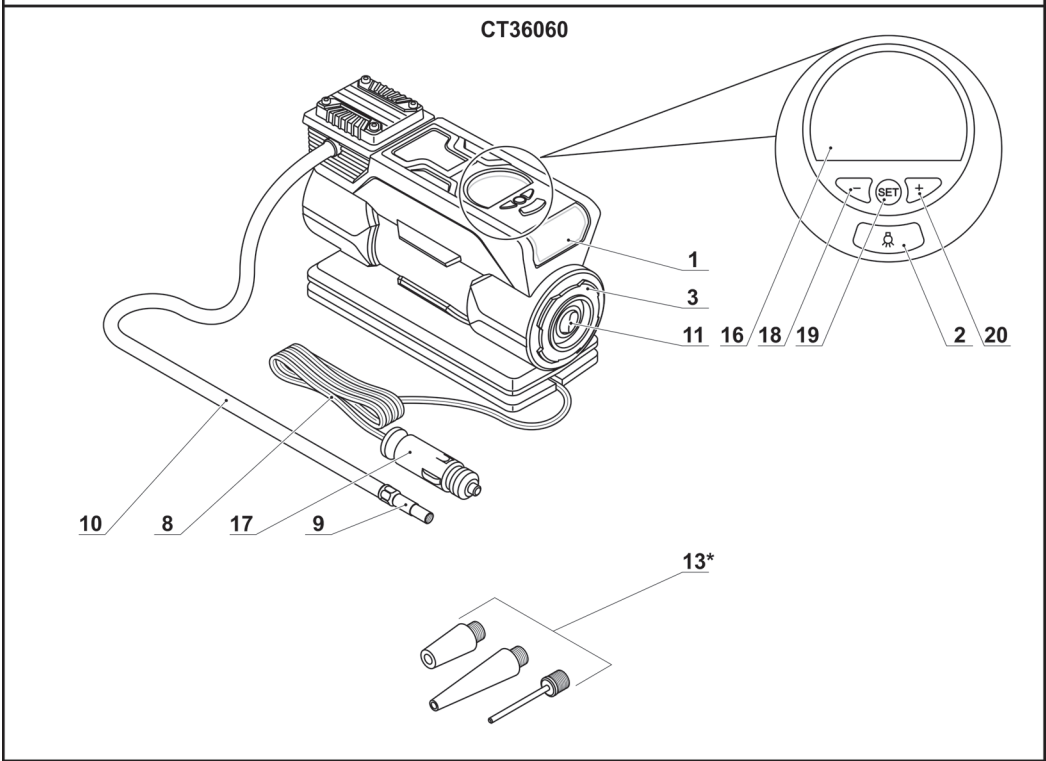
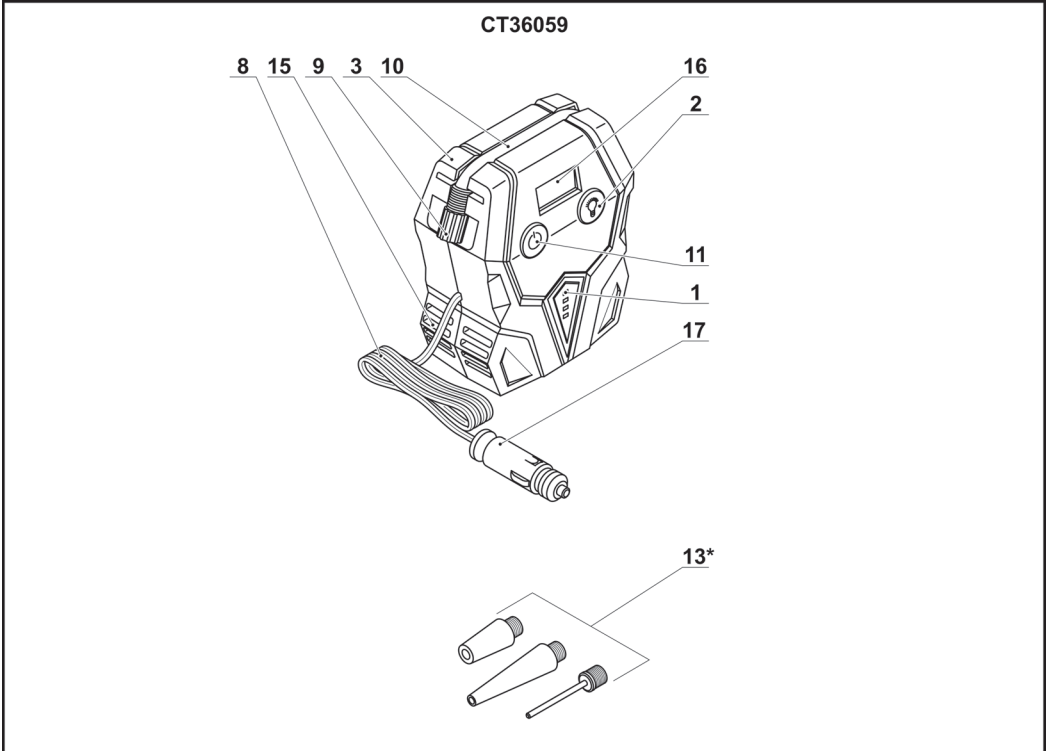
العربية

رسوم توضيحية	الصفحات 3 - 8
قواعد السلامة العامة، دليل التعليمات	الصفحات 29 - 32

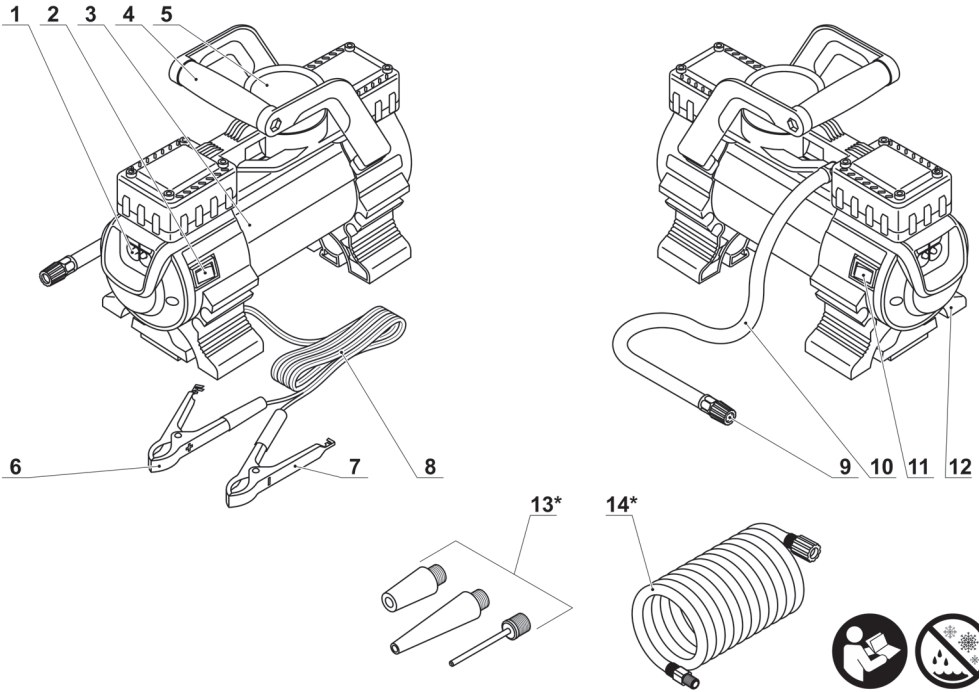
فارسی

اشکال توضیحی	صفحه های 3 - 8
قوانین ایمنی کلی، دفترچه دستور العمل ها	صفحه های 33 - 36



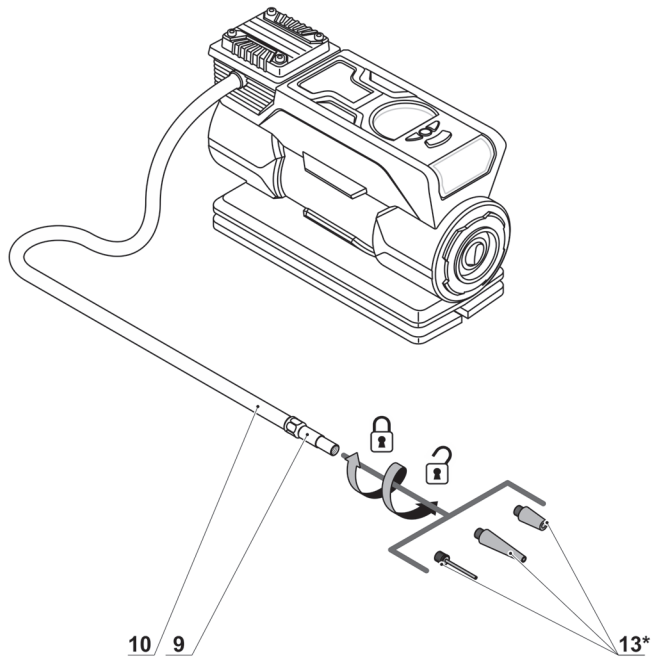


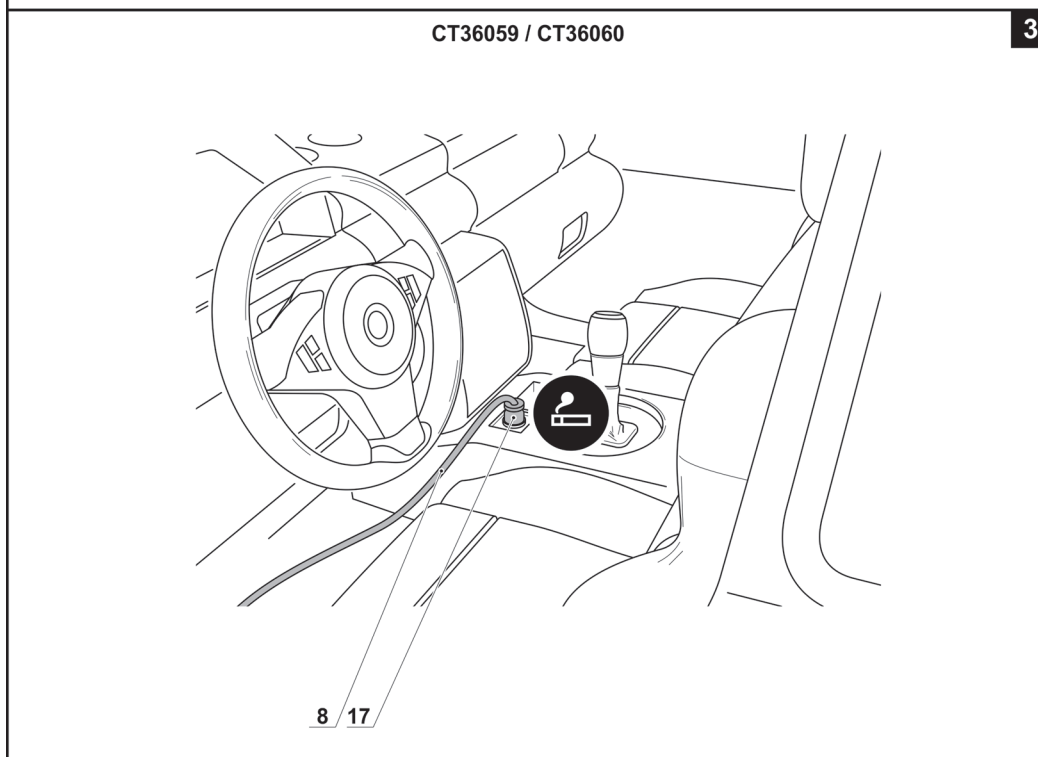
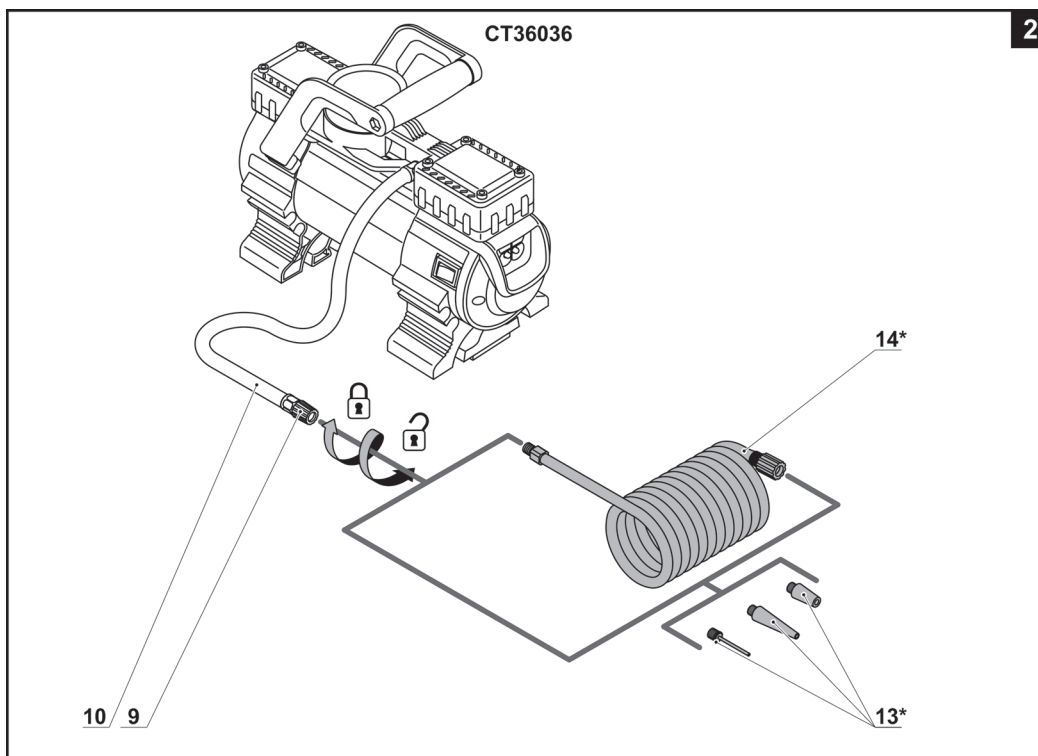
CT36036

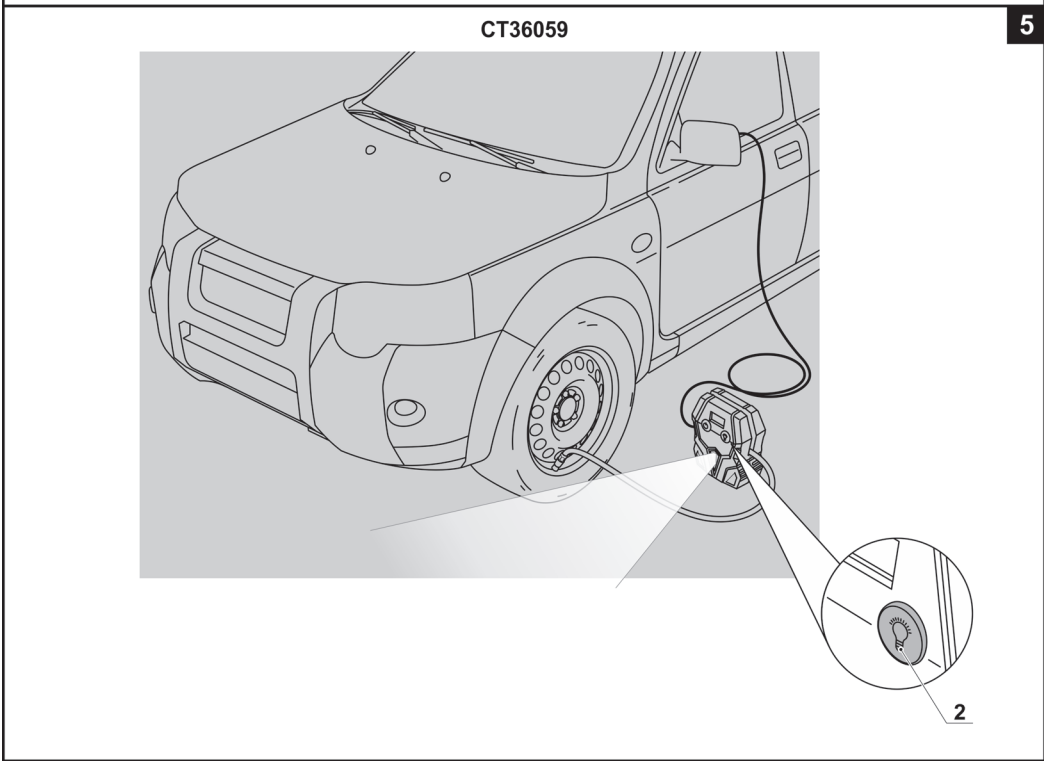
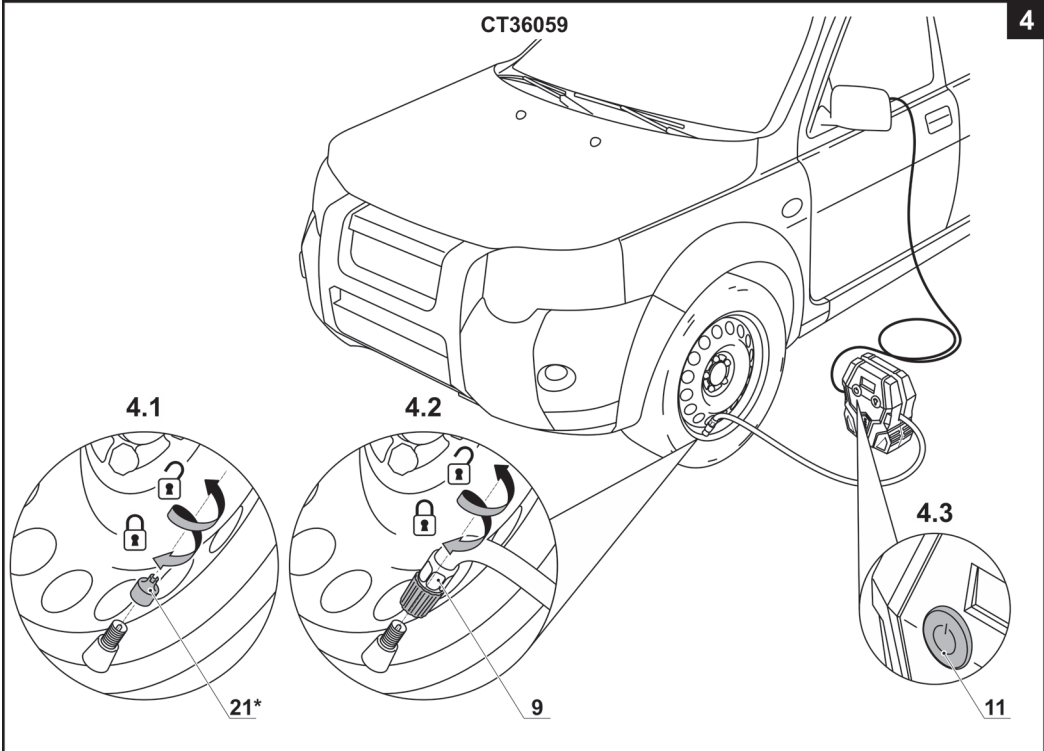


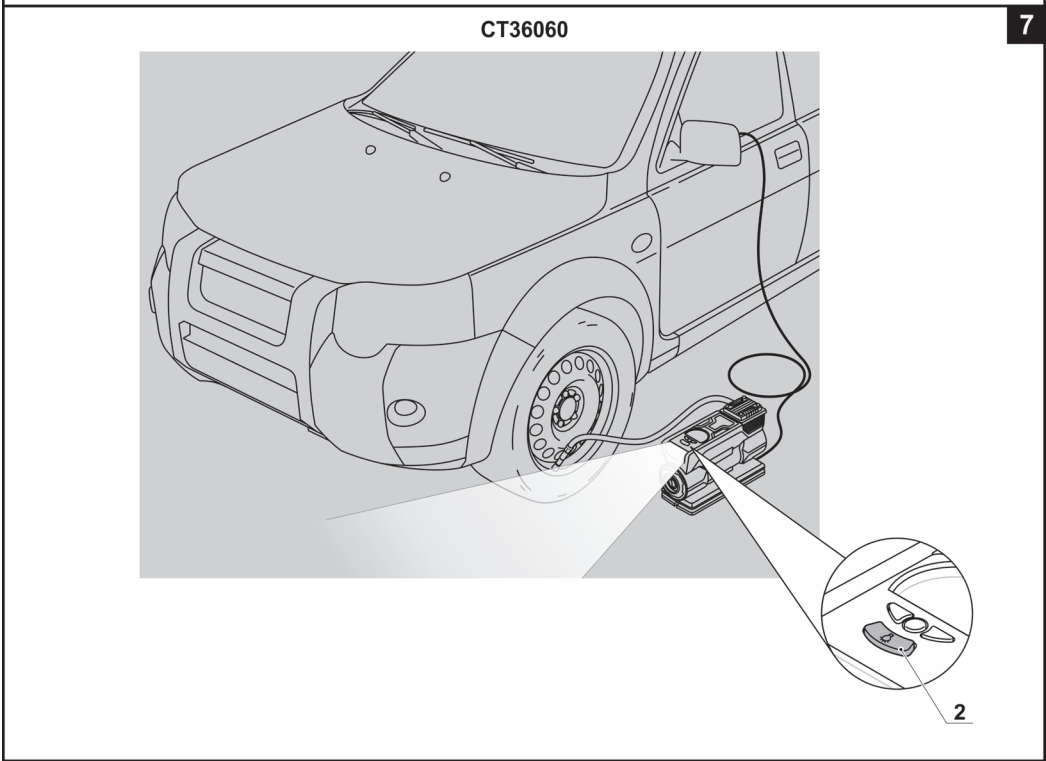
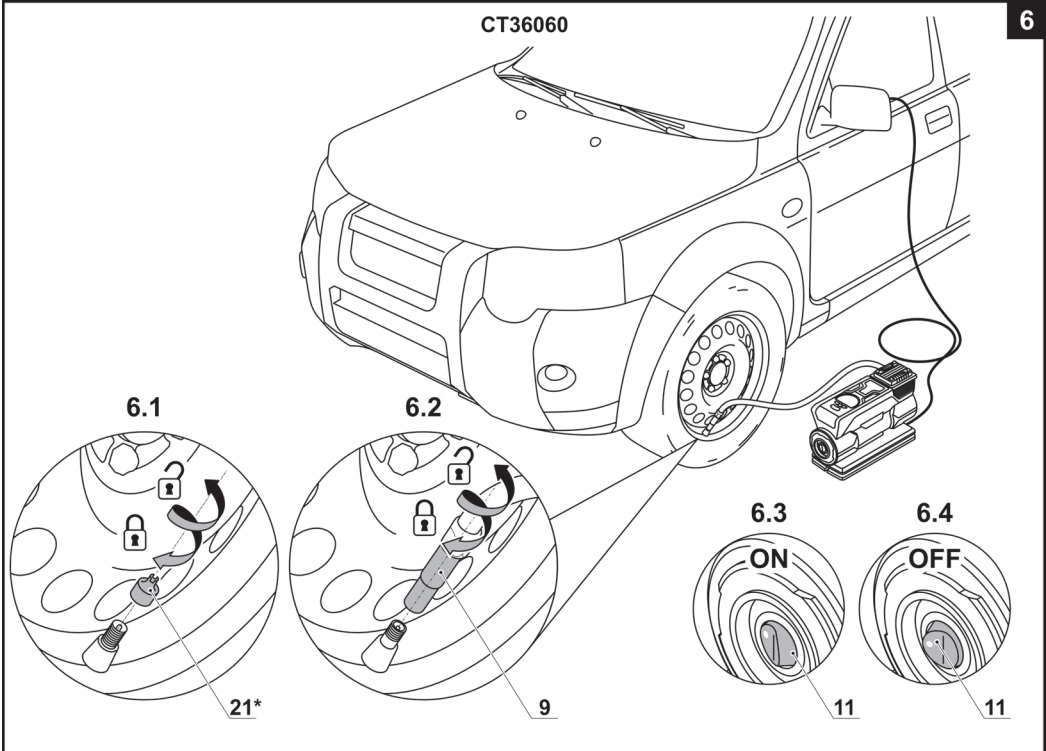
CT36059 / CT36060

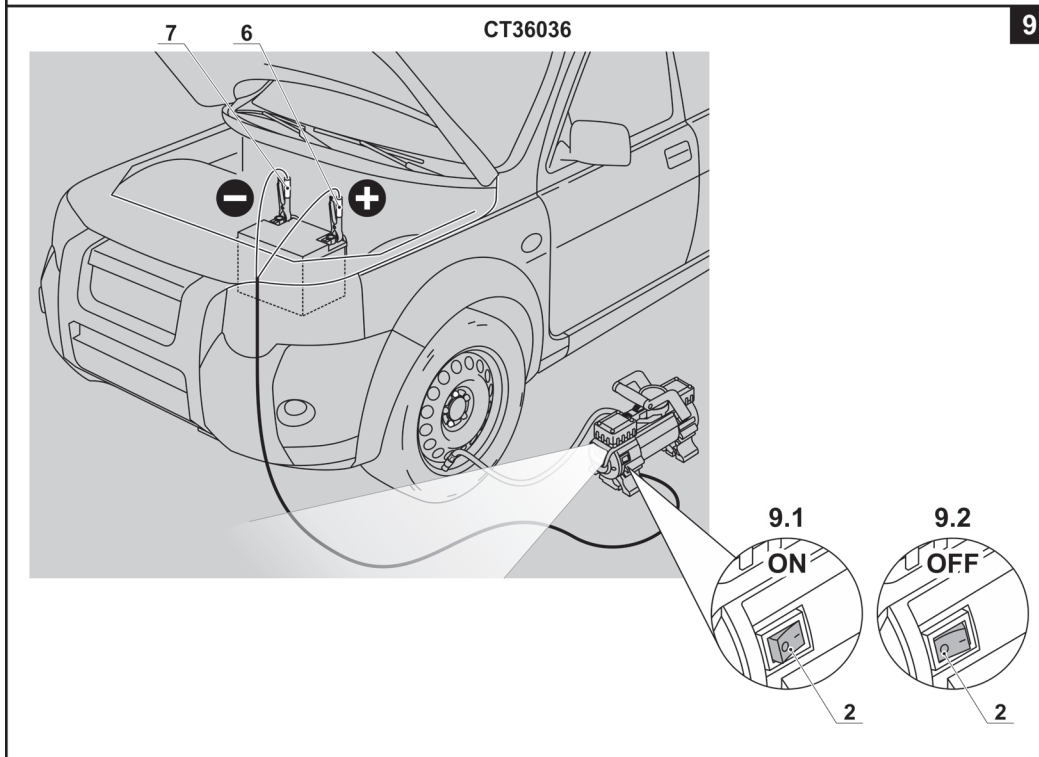
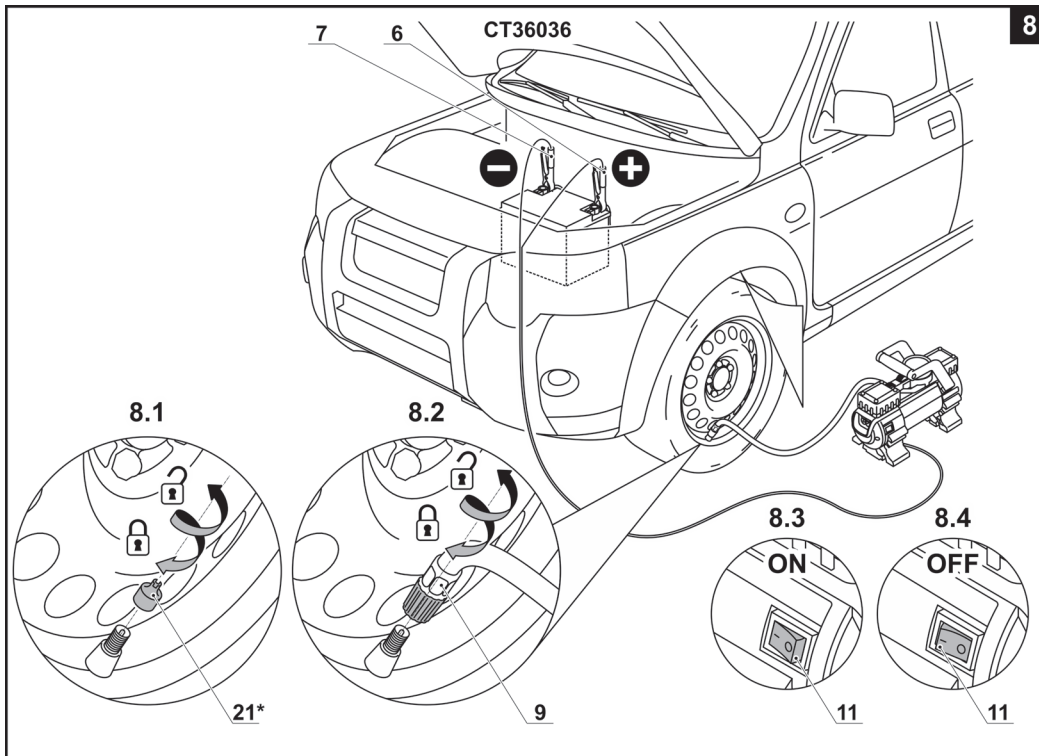
1











Appliance specification

Vehicle compressor		CT36059	CT36060	CT36036
Appliance code		422552	422569	421470
Rated voltage	[V]	≡ 12	≡ 12	≡ 12
Max. power	[W]	60	120	200
Max. current	[A]	<6.5	<12	<18
Productivity	[l/min]	13	30	45
Max. pressure	[bar] [psi]	10,34 150	6,89 100	7 101.52
Continuous operation time	[min]	<20	<20	<20
Ambient temperature	[°C]	-6°C ... +49°C	-20°C ... +50°C	-20°C ... +50°C
Weight	[kg] [lb]	0,5 1.1	1,75 3.86	3,3 7.28
Sound pressure	[dB(A)]	85	80	85

Noise information



Always wear ear protection if the sound pressure exceed 85 dB(A).

supply and do not change the appliance design. If the charge of your vehicle accumulator is too low, voltage of the vehicle network may be insufficient for effective function of the appliance. In such case it is recommended to use the appliance when the vehicle engine is on.

CE Declaration of conformity

We declare under our sole responsibility that the product described under "Appliance specifications" is in conformity with all relevant provisions of the directives 2006/42/EC their amendments and complies with the following standards: EN ISO 12100:2010, EN 1012-1:2010, EN60204-1:2006/AC:2010.

Certification manager

Wu Cunzhen

Merit Link International AG
Stabio, Switzerland, 30.11.2018



Attention! It is strictly prohibited to start the vehicle engine in rooms with insufficient ventilation; it may cause exhaust gas poisoning and death.

- Check the fuse installed in the cigarette lighter circuit. It should be designed for a current of at least 10A (15A recommended).
- Do not allow dirt, ash or foreign objects to enter the cigarette lighter socket. Foreign objects can cause a violation of a reliable electrical contact, cause overheating of the cigarette lighter socket, and cause a fire and tram.
- Make sure that the power cable and the extension cords are not damaged by tripping-over, crushing, stretching, etc. Protect power cables from heat, oil products, and damages from sharp edges.
- It is forbidden to use the appliance in places with a dusty atmosphere, as well as with an atmosphere containing explosive gases and vapors of aggressive substances.
- Before you start working, ensure that the appliance is far from flammables and is not prevented from normal cooling by external factors.
- Use the appliance only according to its intended purpose. Consider local conditions and pay attention to other persons around when using the appliance.
- Use the appliance only with accessories supplied with the appliance.
- The appliance is intended only for inflation of different articles (vehicle tires, sports equipment) - do not connect pneumatic tools to the appliance.

General safety instructions



ATTENTION! Read these instructions carefully before using the appliance for the first time and follow all rules and recommendation specified herein.

Keep the original instructions for future reference or for a future owner.

Besides safety precautions contained herein, observe general legal safety regulations and accident prevention guidelines.

- This appliance is designed to be powered only from a 12V DC power supply. Do not use any other power

English

- The appliance is not intended for inflation of big inflatable articles such as blow-up beds, boats, etc.
- Do not use the compressed air produced by the appliance for medical or pharmaceutical purposes.
- The appliance is not intended for filling air cylinders, air supply into air receivers, tanks and shock absorbers.
- Do not leave the appliance unattended when in function.
- Use by children is strictly prohibited. Do not let children play with the appliance.
- Prevent animals from being in the area of the appliance use.
- Appliance operation by persons (including children) with limited physical, sensitive, or mental capacities is strictly prohibited, unless they are supervised or instructed on appliance operation by the person(s) responsible for their safety.
- Stay focused and deliberate over each action when operating the appliance. Do not use the appliance if you feel tired or when being under the effect of drugs, alcohol, or medicines. Loss of attention during the operation may cause serious injuries.
- Do not use the appliance during thunderstorms, heavy rain or snow.
- Do not touch the operating appliance with wet hands.
- Do not dip the appliance or its parts into water or other liquids.
- When working, ensure stability of the appliance to prevent accidents or injuries resulting from turning-over. It is strictly prohibited to use the appliance at height, e.g. if on the vehicle splasher or if hung up.
- Maximum tire pressure or inflation pressure of other inflated articles should not be exceeded (maximum pressure is usually indicated on the tire or sports equipment).
- Do not continuously use the appliance for over 20 minutes as this may cause appliance overheating and failure. In such case you will not be entitled for warranty repair. Let the appliance cool down for no less than 20 minutes before using it again.
- Move the appliance using only transport handles. Never use an air hose or power cable to move the appliance.
- Be careful when operating the appliance, since some of its parts can get very hot.
- Do not use flammables or corrosive agents to clean the appliance.
- After finishing work, wait till the appliance cools down, only after that it may be covered or put into a protective case.

Appliance maintenance

Maintenance of your appliance must be performed by qualified personnel using the recommended spare parts. This ensures that the safety of your appliance will be preserved.

Symbols used in the manual

Following symbols are used in the operation manual, please remember their meanings. Correct interpretation of the symbols will allow correct and safe use of the appliance.

Symbol	Meaning
	Serial number sticker: CT ... - model; XX - date of manufacture; XXXXXXX - serial number.
	Read all safety regulations and instructions.
	Do not work in rain or snow.
	Movement direction.
	Rotation direction.
	Locked.
	Unlocked.
	Socket of the cigarette lighter.
	A sign certifying that the product complies with essential requirements of the EU directives and harmonized EU standards.
	Attention. Important.
	Useful information.
	Do not dispose of the appliance in a domestic waste container.

Appliance designation

The vehicle compressor is intended for inflating vehicle, motorcycle and bicycle tires, and various sports equipment.

Appliance components

- 1 LED light
- 2 LED light on / off switch
- 3 Body
- 4 Carrying handle
- 5 Manometer
- 6 "+" clamp
- 7 "-" clamp
- 8 Power cable
- 9 Nozzle
- 10 Air hose
- 11 On / off switch
- 12 Support
- 13 Replaceable tips *
- 14 Extension hose *
- 15 Ventilation slot
- 16 LCD display
- 17 Plug
- 18 Button "-"
- 19 Button "Set"
- 20 Button "+"
- 21 Nipple cap *

* Optional extra

Not all of the accessories illustrated or described are included as standard delivery.

Installation and regulation of appliance elements

Disconnect the appliance from the socket of the cigarette lighter or vehicle accumulator before carrying out any procedures.



Do not draw up the fastening elements too tight to avoid damaging the thread.

Accessories installation / replacement (see fig. 1-2)

[CT36059, CT36060]

Connect / disconnect one of the replaceable tips **13** to nozzle **9**, as shown in fig. 1.

[CT36036]

Connect / disconnect hose **14** or one of the replaceable tips **13** to nozzle **9**, as shown in fig. 2.

Initial operating of the appliance

- Ensure that the voltage in the vehicle network corresponds with the data indicated on the appliance enclosure.
- Check power cable **8**. Replace it in case of damages.
- Check air hose **10** or extension hose **14**. Replace them in case of damages.

Switching the appliance on / off

[CT36059]

Switching on:

Press and release on / off switch **11** (see fig. 4.3).

Switching off:

Press and release on / off switch **11** (see fig. 4.3).

[CT36060, CT36036]

Switching on:

Set on / off switch **11** in the "ON" position (see fig. 6.3, 8.3).

Switching off:

Set on / off switch **11** in the "OFF" position (see fig. 6.4, 8.4).

Design features of the appliance

Temperature protection

Temperature protection prevents from damage to the appliance, switching it off during excessive loads and overheating. When temperature protection is activated, unplug the appliance from the mains, eliminate the cause that triggered the protection, allow the appliance to cool down, and then continue working.

Selection of measurement units

[CT36060]

Press button **19**. The selected measurement units are displayed on LCD display **16** (psi, kPa, bar).

Pressure setting

[CT36060]

Press buttons **18** or **20** to set the desired pressure, and then press button **19** to fix this value. The appliance will automatically stop once the desired pressure is reached.

LED light (see fig. 5, 7, 9)

LED light **1** makes it possible to work in case in low light condition.

[CT36059, CT36060]

- Press and release LED light on / off switch **2** to switch on the LED light (see fig. 5, 7).
- Press and release LED light on / off switch **2** to switch off the LED light (see fig. 5, 7).

[CT36036]

- Set on / off switch **2** in the "ON" position to switch on the LED light (see fig. 9.1).
- Set on / off switch **2** in the "OFF" position to switch off the LED light (see fig. 9.2).

Recommendations on the appliance operation

Before starting work

- If necessary connect extension hose **14** to the appliance (**CT36036**).
- If you are going to inflate sports equipment, put the appropriate replaceable tip **13**.
- Power cable **8** should be fully unwound as it improves efficiency of the appliance function.

General recommendations (see fig. 3-9)

- **CT36059, CT36060** - extract cigarette lighter and insert plug **17** into cigarette lighter socket as shown in fig. 3.
- **CT36036** - connect the appliance to the vehicle accumulator as shown in fig. 8. **Observe polarity when connecting the appliance to the vehicle accumulator: clamp 6 ("+" with red handles) should be connected to "+" output of the accumulator; clamp 7 ("- with black handles) should be connected to - output of the accumulator.**
- Screw nipple cap **21** off the tire nipple (see fig. 4.1, 6.1, 8.1).
- Screw nozzle **9** onto the tire nipple (see fig. 4.2, 6.2, 8.2).
- Turn on the appliance.
- Inflate the tire, while observing indications of the LCD display **16 (CT36059, CT36060)** or manometer **5 (CT36036)**. Having reached the necessary pressure turn off the appliance.
- Screw nozzle **9** off the tire nipple.
- Screw nipple cap **21** onto the tire nipple.
- Disconnect the appliance from the socket of the cigarette lighter or vehicle accumulator.

Appliance maintenance / preventive measures

Disconnect the appliance from the socket of the cigarette lighter or vehicle

accumulator before carrying out any procedures.

Cleaning the appliance

It is required to periodically clean the outer surface of the appliance with a soft brush and a cloth, and blow the parts of the appliance with compressed air. Do not use caustic substances or solvents to clean the appliance.

After-sales service and application service

Our after-sales service responds to your questions concerning maintenance and repair of your product as well as spare parts. Information about service centers, parts diagrams and information about spare parts can also be found under: www.crown-tools.com.

Transportation of the appliances

- **CT36036** - only move the appliance by handle **4** or by picking it up and supporting from the bottom. Do not move the appliance by other parts (by pulling the hoses or power cable, etc.).
- Categorically not to drop any mechanical impact on the packaging during transport.
- When unloading / loading is not allowed to use any kind of technology that works on the principle of clamping packaging.

Environmental protection



Recycle raw materials instead of disposing as waste.

Appliance, accessories and packaging should be sorted for environment-friendly recycling.

The plastic components are labelled for categorized recycling. These instructions are printed on recycled paper manufactured without chlorine.

The manufacturer reserves the possibility to introduce changes.

English

Especificaciones del artefacto

Compresor de automoción		CT36059	CT36060	CT36036
Código del artefacto		422552	422569	421470
Tensión nominal	[V]	≡ 12	≡ 12	≡ 12
Potencia máx.	[W]	60	120	200
Corriente máx.	[A]	<6.5	<12	<18
Productividad	[l/min]	13	30	45
Presión máx.	[MPa] [bar]	10,34 150	6,89 100	7 101.52
Tiempo de operación continua	[min]	<20	<20	<20
Temperatura ambiente	[°C]	-6°C ... +49°C	-20°C ... +50°C	-20°C ... +50°C
Peso	[kg] [lb]	0,5 1.1	1,75 3.86	3,3 7.28
Presión acústica	[dB(A)]	85	80	85

Información sobre ruidos



Tome medidas adecuadas para proteger sus oídos cuando la presión acústica exceda el valor de 85 dB(A).

CE Declaración de conformidad

Declaramos bajo nuestra exclusiva responsabilidad que el producto descrito en "Especificaciones del artefacto" está en conformidad con todas las disposiciones relevantes de las directivas 2006/42/EC, incluyendo sus enmiendas, y cumple con las siguientes normas: EN ISO 12100:2010, EN 1012-1:2010, EN60204-1:2006/AC:2010.

Gerente de certificación

Wu Cunzhen

Merit Link International AG
Stabio, Suiza, 30.11.2018

Instrucciones generales de seguridad



¡ATENCIÓN! Lea atentamente estas instrucciones antes de usar el artefacto por primera vez y siga todas las reglas y recomendaciones especificadas en dichas instrucciones.

Conserve las instrucciones originales para futura referencia o para un futuro propietario.

Además de las precauciones de seguridad del presente documento, cumpla con las reglamentaciones legales de seguridad y las pautas para la prevención de accidentes.

• Este aparato fue designado para recibir energía sólo a partir del suministro de energía de 12V CC. No use ningún otro suministro de energía y no cambie el diseño del aparato. Si la carga del acumulador de su vehículo es demasiado baja, la tensión de la red del vehículo puede ser insuficiente para la función efectiva del aparato. En tal caso se recomienda usar el aparato cuando el motor del vehículo está encendido.



¡Atención! Está estrictamente prohibido arrancar el motor del vehículo en ambientes con ventilación insuficiente; puede causar la intoxicación por gases de combustión y la muerte.

- Verifique el fusible instalado en el circuito del encendedor de cigarrillos. Debe estar diseñado para una corriente de al menos 10A (15A recomendable).
- No deje que ingrese suciedad, cenizas u objetos extraños en el tomacorriente del encendedor de cigarrillos. Los objetos extraños pueden causar una violación del contacto eléctrico confiable, sobrecalentamiento del tomacorriente de encendedor de cigarrillo y lesiones y e incendios.
- Asegúrese de que el cable de alimentación de energía y los cables de extensión no estén dañados al arrancarlos, golpearlos, estirarlos, etc. Proteja los cables de alimentación de energía del calor, productos del petróleo y roturas con bordes filosos.
- Está prohibido usar el aparato en lugares en una atmósfera con polvo, como así también en una atmósfera con gases explosivos y vapores de sustancias agresivas.
- Antes de empezar a trabajar, asegúrese de que el aparato esté lejos de productos inflamables y que no se evite el enfriamiento normal por factores externos.
- Use el aparato sólo de acuerdo con su fin propuesto. Considere las condiciones locales y preste atención a otras personas alrededor cuando use el aparato.

Español

- Use el aparato sólo con los accesorios suministrados con el aparato.
- El aparato es sólo para inflar diferentes artículos (neumáticos del vehículo, equipo de deportes) - no conecte herramientas neumáticas al aparato.
- El aparato no tiene por objetivo inflar artículos inflables grandes como colchones inflables, botes inflables, etc.
- No use el aire comprimido producido por el aparato para fines médicos o farmacéuticos.
- El aparato no es para rellenar cilindros de aire, suministro de aire en receptores de aire, tanques y amortiguadores.
- No deje el aparato sin atención cuando esté en funcionamiento.
- Está totalmente prohibido el uso por parte de los niños. No deje que los niños jueguen con el aparato.
- Evite que haya animales cerca del área de funcionamiento del aparato.
- Está totalmente prohibido que operen este aparato las personas (incluidos niños) con capacidades físicas, mentales o de sensibilidad limitadas, a menos que sean supervisados o instruidos sobre el funcionamiento del aparato por la persona responsable de su seguridad.
- Permanezca enfocado y consciente con cada acción cuando opere el aparato. No use el aparato si se siente cansado o cuando está bajo el efecto de las drogas, alcohol, o medicamentos. La pérdida de atención durante la operación puede causar serias lesiones.
- No use el aparato durante las tormentas, lluvia fuerte o nieve.
- No toque el aparato operante con sus manos.
- No sumerja el aparato o sus partes en agua u otros líquidos.
- Cuando trabaje, asegure la estabilidad del aparato para prevenir accidentes o lesiones que resulten de su caída. Está estrictamente prohibido usar el aparato en altura, por ejemplo, en la hidronave o colgado.
- No se debe exceder la presión máxima del neumático o la presión de inflado de otros artículos inflados (se indica la presión máxima usualmente en el neumático o equipo de deportes).
- No use el aparato continuamente durante más de 20 minutos ya que esto puede causar el sobrecalentamiento del aparato y fallas. En tal caso, usted no tendrá derecho a la reparación de garantía. Deje que se enfríe el aparato durante no menos de 20 minutos antes de usarlo nuevamente.
- Mueva el aparato usando sólo las asas de transporte. No use nunca una manguera de aire o cable eléctrico para mover el aparato.
- Tenga cuidado cuando opere el aparato, ya que algunas partes pueden calentarse muchísimo.
- No use agentes inflamables o corrosivos para limpiar el aparato.
- Después de finalizar el trabajo, espere hasta que se enfríe el aparato y sólo después de eso, cúbralo o guárdelo en su caja protectora.

Mantenimiento del artefacto

El mantenimiento de su artefacto debe ser realizado por personal calificado que utilice los repuestos recomendados. Esto garantiza que se preserve la seguridad de su artefacto.

Símbolos utilizados en este manual

Los siguientes símbolos se utilizan en este manual de funcionamiento, por favor, recuerde sus significados. La correcta interpretación de los símbolos permitirá un uso correcto y seguro del artefacto.

Símbolo	Significado
	Etiqueta con número de serie: CT ... - modelo; XX - fecha de fabricación; XXXXXXX - número de serie.
	Lea todas las reglas e instrucciones de seguridad.
	No trabaje en la lluvia o en la nieve.
	Dirección del movimiento.
	Dirección de la rotación.
	Bloqueado.
	Desbloqueado.
	Tomacorrientes del encendedor de cigarrillos.
	Un signo que certifica que el producto cumple con los requisitos esenciales de las directivas de la UE y las normas armonizadas de la UE.
	Atención. Importante.
	Información útil.
	No deseche el artefacto en un recipiente de basura doméstico.

Designación del artefacto

El compresor del vehículo tiene el propósito de inflar los neumáticos del vehículo, motocicleta y bicicleta, y de varios equipos deportivos.

Componentes del artefacto

- 1 Luz LED
- 2 Interruptor de encendido y apagado LED
- 3 Cuerpo
- 4 Asa de transporte
- 5 Manómetro
- 6 Abrazadera "+"
- 7 Abrazadera "-"
- 8 Cable eléctrico
- 9 Pico
- 10 Manguera de inflado
- 11 Interruptor de encendido / apagado
- 12 Apoyo
- 13 Puntas de sustitución *
- 14 Manguera de extensión *
- 15 Ranuras de ventilación
- 16 Pantalla LCD
- 17 Enchufe
- 18 Botón "-"
- 19 Botón "Set"
- 20 Botón "+"
- 21 Tapa de la boquilla *

* Accesorios

No todos los accesorios fotografiados o descritos están incluidos en el envío estándar.

Instalación y regulación de los elementos del artefacto

Desconecte el aparato del tomacorriente del encendedor de cigarrillos o acumulador del vehículo antes de llevar a cabo los procedimientos.



No apriete demasiado los elementos de ajuste para evitar dañar el hilo.

Instalación de los accesorios / sustitución (ver fig. 1-2)

[CT36059, CT36060]

Conecte-desconecte una de las puntas reemplazables **13** con la boquilla **9**, como lo muestra la fig. 1.

[CT36036]

Conecte / desconecte la manguera **14** o una de las puntas de sustitución **13** en el pico **9**, como se observa en la fig. 2.

Funcionamiento inicial del artefacto

• Asegure que la tensión en la red del vehículo corresponda a los datos indicados en la caja del aparato.

- Revise el cable eléctrico **8**. Sustitúyalo en caso de daño.
 - Revise la manguera de inflado **10** o la manguera de extensión **14**. Sustitúyalas en caso de daño.
-

Encendido y apagado del artefacto

[CT36059]

Encendido:

Oprima y suelte el interruptor de encendido / apagado **11** (ver fig. 4.3)

Apagado:

Oprima y suelte el interruptor de encendido / apagado **11** (ver fig. 4.3)

[CT36060, CT36036]

Encendido:

Fije el interruptor de encendido / apagado **11** en la posición "ON" (ver fig. 6.3, 8.3).

Apagado:

Fije el interruptor de encendido / apagado **11** en la posición "OFF" (ver fig. 6.4, 8.4).

Características de diseño del artefacto

Protección de temperatura

La protección de temperatura evita daño al artefacto y lo apaga en caso de cargas excesivas y sobrecalentamiento. Cuando la protección de temperatura esté activada, desenchufe el artefacto de la red de alimentación principal, elimine la causa que activó la protección, permita que el artefacto se enfríe y luego continúe trabajando.

Selección de unidades de medición

[CT36060]

Oprima y suelte el botón **19**. Las unidades de medición seleccionadas se muestran en la pantalla LCD **16** (psi, kPa, bar).

Configuración de la presión

[CT36060]

Oprima y suelte los botones **18** o **20** para configurar la presión deseada, luego oprima el botón **19** para arreglar este valor. El aparato se detendrá automáticamente cuando se llegue a la presión deseada.

Luz LED (ver fig. 5, 7, 9)

La luz LED **1** hace posible trabajar en caso de una condición con luz baja.

[CT36059, CT36060]

- Oprima y suelte el interruptor **2** de encendido-apagado de luz LED para encender la luz LED (ver fig. 5, 7).
- Oprima y suelte el interruptor **2** de encendido-apagado de luz LED para apagar la luz LED (ver fig. 5, 7).

[CT36036]

- Fije el interruptor de encendido / apagado **2** en la posición "ON" para encender la luz LED (ver fig. 9.1).
- Fije el interruptor de encendido / apagado **2** en la posición "OFF" para apagar la luz LED (ver fig. 9.2).

Recomendaciones sobre el funcionamiento del artefacto

Antes de comenzar a trabajar

- Si fuera necesario conectar la manguera de extensión **14** al aparato (**CT36036**).
- Si va a inflar el equipo de deportes, ponga la punta de sustitución apropiada **13**.
- Se debe desenrollar completamente el cable eléctrico **8** ya que mejora la eficiencia de la función del aparato.

Recomendaciones generales (ver fig. 3-9)

- **CT36059, CT36060** - extraiga el encendedor de cigarrillo e inserte el enchufe **17** en el tomacorriente de encendedor de cigarrillo como se muestra en la fig. 3.
- **CT36036** - conecte el aparato al acumulador del vehículo como se observa en la fig. 8. **Observe la polaridad cuando conecte el aparato al acumulador del vehículo: la abrazadera 6 ("+" con las asas rojas) debería conectarse a la producción "+" del acumulador; la abrazadera 7 ("- con asas negras) debería conectarse a la producción - del acumulador.**
- Desatornille la tapa de la boquilla **21** de la boquilla del neumático (ver la fig. 4.1, 6.1, 8.1).
- Atornille el pico **9** en la boquilla del neumático (ver la fig. 4.2, 6.2, 8.2).
- Encienda el aparato.
- Infe el neumático, mientras cumple con las indicaciones de la pantalla LCD **16 (CT36059, CT36060)** o el manómetro **5 (CT36036)**. Al llegar a la presión necesaria, apague el aparato.
- Desatornille el pico **9** de la boquilla del neumático.
- Atornille la tapa de la boquilla **21** en la boquilla.
- Desconecte el aparato del tomacorriente del encendedor de cigarrillo o acumulador del vehículo.

Mantenimiento del artefacto / medidas preventivas

Desconecte el aparato del tomacorriente del encendedor de cigarrillos o acumulador del vehículo antes de llevar a cabo los procedimientos.

Limpeza del artefacto

Es necesario limpiar periódicamente la superficie externa del artefacto con un cepillo blando y un paño y soplar las piezas del artefacto con aire comprimido. No use sustancias cáusticas o solventes para limpiar el artefacto.

Servicio de post-venta y servicio de aplicaciones

Nuestro servicio de post-venta responde a sus preguntas sobre el mantenimiento y la reparación de su producto, así como también sobre los repuestos. La información sobre los centros de servicio, los diagramas de las piezas y sobre los repuestos también se puede encontrar en: www.crown-tools.com.

Transporte del artefacto

- **CT36036** - mueva el artefacto sólo por el asa **4** o levantándolo y sosteniéndolo de la parte inferior. No mueva el artefacto por otras partes del mismo (tirando de las mangueras o del cable de alimentación, etc.).
- Está terminantemente prohibido dejarlas caer para que no se produzca ningún impacto mecánico en el embalaje durante el transporte.
- Cuando se descarguen / carguen, no se permite usar ningún tipo de tecnología que funcione bajo el principio de sujeción de embalajes.

Protección del medio ambiente



Recicle las materias primas en lugar de eliminarlas como basura.

El artefacto, los accesorios y el embalaje deben clasificarse para el reciclado que respete el medio ambiente. Las piezas de material plástico están marcadas para un reciclado selectivo. Estas instrucciones están impresas sobre papel reciclado sin la utilización de cloro.

El fabricante se reserva la posibilidad de incluir cambios.

Español

Технические характеристики устройства

Автомобильный компрессор		СТ36059	СТ36060	СТ36036
Код устройства		422552	422569	421470
Напряжение	[В]	≡ 12	≡ 12	≡ 12
Макс. мощность	[Вт]	60	120	200
Макс. сила тока	[А]	<6.5	<12	<18
Производительность	[л/мин]	13	30	45
Макс. давление	[МПа] [бар]	10,34 150	6,89 100	7 101.52
Время непрерывной работы	[мин]	<20	<20	<20
Температура окружающей среды	[°C]	-6°C ... +49°C	-20°C ... +50°C	-20°C ... +50°C
Вес	[кг] [фунты]	0,5 1.1	1,75 3.86	3,3 7.28
Звуковое давление	[дБ(А)]	85	80	85

Информация о шуме



Носить приспособление для защиты органов слуха при уровне звукового давления свыше 85 дБ(А).

CE Соответствия требуемым нормам

Мы заявляем под нашу единоличную ответственность, что описанный в разделе "Технические характеристики устройства" продукт отвечает всем соответствующим положениям Директив 2006/42/ЕС, включая их изменения, а также следующим нормам: EN ISO 12100:2010, EN 1012-1:2010, EN60204-1:2006/AC:2010.

Менеджер по сертификации

Wu Cunzhen

Merit Link International AG
Stabio, Швейцария, 30.11.2018

Общие указания по технике безопасности



ВНИМАНИЕ! Перед первым применением вашего устройства внимательно прочтите данную инструкцию и соблюдайте все рекомендации и правила, изложенные в ней. Сохраните инструкцию для дальнейшего пользования или для следующего владельца.

Наряду с указаниями по технике безопасности, содержащимися в данной инструкции, соблюдайте общие положения законодательства по технике безопасности и предотвращению несчастных случаев.

- Устройство предназначено для работы только от источника постоянного тока 12В. Не используйте никаких других источников электропитания, не изменяйте конструкцию устройства. Если аккумуляторная батарея вашего автомобиля недостаточно заряжена, то напряжение в бортовой сети может быть недостаточным для эффективной работы устройства. В этом случае рекомендуется использовать устройство при включенном двигателе автомобиля.



Внимание! Категорически запрещается заводить двигатель автомобиля в помещении с недостаточной вентиляцией, это может привести к отравлению выхлопными газами и стать причиной смерти.

- Проверьте предохранитель, установленный в цепи автомобильного прикуривателя. Он должен быть рассчитан на ток не менее 10А (рекомендуется 15А).
- Не допускайте попадания грязи, пепла или посторонних предметов в разъем прикуривателя. Посторонние предметы могут вызвать нарушение надежного электрического контакта, стать причиной перегрева гнезда прикуривателя, вызвать пожар и травмы.
- Следите за тем, чтобы токоведущие кабели не были повреждены путем переезда через них, сдвигания, растяжения и т.п. Защищайте токоведущие кабели от воздействия жары, нефтепродуктов, а также от повреждения острыми краями.
- Запрещается использовать устройство в местах с запыленной атмосферой, а также с атмосферой,

Русский

содержащей взрывоопасные газы и испарения агрессивных веществ.

- Перед началом работы необходимо убедиться, что устройство установлено вдали от легковоспламеняющихся веществ, и никакие внешние факторы не препятствуют его нормальному охлаждению.
- Используйте устройство только в соответствии с его назначением. При работе с устройством учитывайте местные особенности и обращайтесь внимание на других лиц, находящихся поблизости.
- Используйте устройство только с принадлежностями, входящими в комплект поставки.
- Устройство предназначено только для накачивания различных изделий (шин транспорта, спортивного инвентаря) - не подключайте к устройству пневмоинструменты.
- Устройство не предназначено для накачивания больших надувных изделий - надувных кроватей, лодок и т.п.
- Не используйте сжатый воздух, производимый устройством, для медицинских или фармацевтических нужд.
- Данное устройство не пригодно для наполнения баллонов аквалангов, нагнетания воздуха в воздушные ресиверы, баллоны и амортизаторы.
- Не оставляйте устройство без присмотра во время работы.
- Категорически запрещена эксплуатация устройства детьми. Не разрешайте детям играть с устройством.
- Не допускайте нахождения животных в зоне, где используется устройство.
- Запрещается использовать устройство лицам (включая детей) с пониженными физическими, чувственными или умственными способностями, если они не находятся под контролем или не проинструктированы об использовании устройства лицом, ответственным за их безопасность.
- При работе устройством будьте внимательны и хорошо обдумывайте свои действия. Не пользуйтесь устройством в случае если вы устали, или находитесь под воздействием наркотиков, алкоголя или медикаментов. Потеря внимания во время работы может стать причиной серьезных травм.
- Не работайте устройством во время грозы, сильного дождя или снега.
- Не касайтесь работающего устройства мокрыми руками.
- Не погружайте устройство или его части в воду или другие жидкости.
- При работе обеспечьте устойчивость устройства, чтобы предотвратить несчастные случаи или повреждения в результате опрокидывания. Категорически запрещается использовать устройство на высоте, например, установив его на крыло автомобиля, либо подвесив его.
- Не превышайте максимальное давление в шинах или других накачиваемых изделиях (максимальное давление обычно указывается на крышке или на спортивном инвентаре).
- Не пользуйтесь устройством непрерывно более 20 минут, это может привести к перегреву устройства и стать причиной его поломки. В этом случае вы утратите право на гарантийный ремонт. Перед повторным использованием дайте устройству остыть в течение не менее 20 минут.
- Перемещайте устройство только за транспортировочную рукоятку. Никогда не используйте воздушный шланг или токоведущие кабели для перемещения устройства.




- Соблюдайте осторожность, во время работы устройства некоторые его части сильно нагреваются.
- Не используйте легковоспламеняющиеся или едкие вещества для чистки устройства.
- После окончания работы выждите, пока устройство охладится, только после этого его можно накрывать или надевать на него защитный чехол.




Обслуживание устройства

Обслуживание Вашего устройства должно производиться квалифицированными специалистами с использованием рекомендованных запасных частей. Это дает гарантию того, что безопасность Вашего устройства будет сохранена.

Символы, используемые в инструкции

В руководстве по эксплуатации используются нижеприведенные символы, запомните их значение. Правильная интерпретация символов поможет использовать устройство правильно и безопасно.

Символ	Значение
	Наклейка с серийным номером: CT ... - модель; XX - дата производства; XXXXXXXX - серийный номер.
	Ознакомьтесь со всеми указаниями по технике безопасности и инструкциями.
	Не работайте в дождь или в снег.
	Направление движения.
	Направление вращения.
	Заблокировано.
	Разблокировано.
	Разъем автомобильного прикуривателя.
	Знак, удостоверяющий, что изделие соответствует основным требованиям директив ЕС и гармонизированным стандартам Европейского Союза.

Символ	Значение
	Внимание. Важная информация.
	Полезная информация.
	Не выбрасывайте устройство в бытовой мусор.

Назначение устройства

Автомобильный компрессор предназначен для накачивания автомобильных, мотоциклетных и велосипедных шин, а также различного спортивного инвентаря.

Элементы устройства

- 1 LED фонарь
- 2 Включатель / выключатель LED фонаря
- 3 Корпус
- 4 Рукоятка для транспортировки
- 5 Манометр
- 6 Зажим "+"
- 7 Зажим "-"
- 8 Токоведущий кабель
- 9 Наконечник
- 10 Воздушный шланг
- 11 Включатель / выключатель
- 12 Опора
- 13 Сменные насадки *
- 14 Удлинительный шланг *
- 15 Вентиляционные отверстия
- 16 LCD дисплей
- 17 Штекер
- 18 Кнопка "-"
- 19 Кнопка "Set"
- 20 Кнопка "+"
- 21 Защитный колпачок *

* Принадлежности

Перечисленные, а также изображенные принадлежности, частично не входят в комплект поставки.

Монтаж и регулировка элементов устройства

Перед проведением всех процедур обязательно отключите устройство от аккумуляторной батареи автомобиля или извлеките штекер из разъема прикуривателя.



Не затягивайте слишком сильно крепежные элементы, чтобы не повредить их резьбу.

Установка / замена принадлежностей (см. рис. 1-2)

[СТ36059, СТ36060]

Присоедините / отсоедините одну из сменных насадок **13** к наконечнику **9**, как показано на рис. 1.

[СТ36036]

Присоедините / отсоедините шланг **14** или одну из сменных насадок **13** к наконечнику **9**, как показано на рис. 2.

Ввод в эксплуатацию устройства

- Убедитесь в том, что имеющееся напряжение в бортовой сети автомобиля соответствует данным, указанным на корпусе устройства.
- Проверьте состояние токоведущего кабеля **8**. В случае обнаружения повреждений, необходимо заменить его.
- Проверьте состояние воздушного шланга **10** или удлинительного шланга **14**, в случае обнаружения повреждений, необходимо заменить их.

Включение / выключение устройства

[СТ36059]

Включение:
Нажмите и отпустите включатель / выключатель **11** (см. рис. 4.3).

Выключение:
Нажмите и отпустите включатель / выключатель **11** (см. рис. 4.3).

[СТ36060, СТ36036]

Включение:
Включатель / выключатель **11** установите в положение "ON" (см. рис. 6.3, 8.3).

Выключение:
Включатель / выключатель **11** установите в положение "OFF" (см. рис. 6.4, 8.4).

Конструктивные особенности устройства

Температурная защита

Температурная защита предотвращает повреждение устройства, отключая его при чрезмерных нагрузках и перегреве. При срабатывании температурной защиты, отключите устройство от сети, устраните причину, вызвавшую срабатывание защиты, дайте устройству охладиться и только тогда продолжайте работу.

Выбор единиц измерения

[СТ36060]

Нажмите и отпустите кнопку **19**. Выбранные единицы измерения отобразятся на LCD дисплее **16** (psi, kPa, bar).

Русский

Установка давления

[СТ36060]

Нажмите и отпустите кнопку **18** или **20**, чтобы установить желаемое давление, затем нажмите кнопку **19**, чтобы зафиксировать это значение. При достижении установленного давления устройство автоматически выключится.

LED фонарь (см. рис. 5, 7, 9)

LED фонарь **1** позволяет вести работы в условиях недостаточной освещенности.

[СТ36059, СТ36060]

- Для включения LED фонаря нажмите и отпустите кнопку включения / выключения **2** (см. рис. 5, 7).
- Для выключения LED фонаря нажмите и отпустите кнопку включения / выключения **2** (см. рис. 5, 7).

[СТ36036]

- Для включения LED фонаря включатель / выключатель **2** установите в положение "ON" (см. рис. 9.1).
- Для выключения LED фонаря включатель / выключатель **2** установите в положение "OFF" (см. рис. 9.2).

Рекомендации при работе устройством

Перед началом работы

- Если необходимо, подключите к устройству удлинительный шланг **14** (СТ36036).
- Если вы собираетесь накачивать спортивный инвентарь, установите одну из подходящих сменных насадок **13**.
- Необходимо полностью разматывать токоведущий кабель **8**, это повышает эффективность работы устройства.

Общие рекомендации (см. рис. 3-9)

- **СТ36059, СТ36060** - извлеките прикуриватель и вставьте в разъем штекер **17**, как показано на рис. 3.
- **СТ36036** - подключите устройство к аккумуляторной батарее автомобиля, как показано на рис. 8. При подключении устройства к аккумуляторной батарее автомобиля соблюдайте полярность: зажим **6** ("+", с рукоятками красного цвета) подключайте к выводу "+" аккумуляторной батареи; зажим **7** ("-", с рукоятками черного цвета) подключайте к выводу "-" аккумуляторной батареи.
- Скрутите защитный колпачок **21** с ниппеля шины (см. рис. 4.1, 6.1, 8.1).
- Накрутите наконечник **9** на ниппель шины (см. рис. 4.2, 6.2, 8.2).
- Включите устройство.

- Накачивайте шину, следя при этом за показаниями LCD дисплея **16** (СТ36059, СТ36060) или манометра **5** (СТ36036). При достижении желаемого давления выключите устройство.
- Скрутите наконечник **9** с ниппеля шины.
- Накрутите защитный колпачок **21** на ниппель шины.
- Отключите устройство от аккумуляторной батареи автомобиля или извлеките штекер **17** из разъема прикуривателя.

Обслуживание / профилактика устройства

Перед проведением всех процедур обязательно отключите устройство от аккумуляторной батареи автомобиля или извлеките штекер из разъема прикуривателя.

Чистка устройства

Необходимо периодически очищать наружную поверхность устройства мягкой щеткой и тряпкой, а также обдуть детали устройства сжатым воздухом. Не используйте для очистки устройства едкие вещества и растворители.

Послепродажное обслуживание

Ответы на вопросы по ремонту и обслуживанию вашего продукта вы можете получить в сервисных центрах. Информацию о сервисных центрах, схемы запчастей и информацию по запчастям Вы можете найти по адресу: www.crown-tools.com.

Транспортировка устройства

- **СТ36036** - перемещайте устройство только за рукоятку **4**, либо переносите устройство поддерживая его снизу. Запрещается перемещать устройство за другие части (подтягивать его за шланги или токоведущий кабель и т.п.).
- Не допускайте падения упаковки, а также любые механические воздействия на нее при транспортировке.
- При погрузке / разгрузке не используйте погрузочную технику, работающую по принципу зажима упаковок.

Защита окружающей среды



Вторичное использование сырья вместо устранения мусора!

Устройство, дополнительные принадлежности и упаковку следует экологически чисто утилизировать.

В интересах чистосортной рециркуляции отходов детали из синтетических материалов соответственно обозначены.

Настоящее руководство по эксплуатации напечатано на бумаге, изготовленной из вторсырья без применения хлора.

Оговаривается возможность внесения изменений.

Русский

Технічні характеристики пристрою

Автомобільний компресор		СТ36059	СТ36060	СТ36036
Код пристрою		422552	422569	421470
Напруга	[В]	≡ 12	≡ 12	≡ 12
Макс. потужність	[Вт]	60	120	200
Макс. сила струму	[А]	<6.5	<12	<18
Продуктивність	[л/хв]	13	30	45
Макс. тиск	[МПа] [бар]	10,34 150	6,89 100	7 101.52
Час безперервної роботи	[хв]	<20	<20	<20
Температура навколишнього середовища	[°С]	-6°С ... +49°С	-20°С ... +50°С	-20°С ... +50°С
Вага	[кг] [фунти]	0,5 1.1	1,75 3.86	3,3 7.28
Рівень шуму	[дБ(А)]	85	80	85

Інформація про шум



Завжди використовуйте звукоізоляційні навушники при рівні шуму понад 85 дБ(А).

CE Відповідності необхідним нормам

Ми заявляємо під нашу одноосібну відповідальність, що описаний у розділі "Технічні характеристики пристрою" продукт відповідає усім відповідним положенням Директив 2006/42/ЕС, включаючи їх зміни, а також наступним нормам: EN ISO 12100:2010, EN 1012-1:2010, EN60204-1:2006/AC:2010.

Менеджер із сертифікації

Wu Cunzhen

Merit Link International AG
Stabio, Швейцарія, 30.11.2018

Загальні вказівки з техніки безпеки



УВАГА! Перед першим застосуванням вашого пристрою уважно прочитайте цю інструкцію й дотримуйтесь усіх рекомендацій та правил, викладених в ній.

Збережіть інструкцію для подальшого користування або для наступного власника. Поряд з вказівками з техніки безпеки, що містяться в даній інструкції, дотримуйтесь загальних положень законодавства з техніки безпеки та запобігання нещасних випадків.

• Пристрій призначений для роботи тільки від джерела постійного струму 12В. Не використовуйте ніяких інших джерел електроживлення, не змінюйте конструкцію пристрою. Якщо акумуляторна батарея вашого автомобіля недостатньо заряджена, то напруга в бортовій мережі може бути недостатньою для ефективної роботи пристрою. В цьому випадку рекомендується використовувати пристрій при включеному двигуні автомобіля.



Увага! Категорично забороняється заводити двигун автомобіля в приміщенні з недостатньою вентиляцією, це може призвести до отруєння вихлопними газами і стати причиною смерті.

- Перевірте запобіжник, встановлений в ланцюзі автомобільного прикурювача. Він повинен бути розрахований на струм не менше 10А (рекомендується 15А).
- Не допускайте потрапляння бруду, попелу або сторонніх предметів в роз'єм прикурювача. Сторонні предмети можуть викликати порушення надійного електричного контакту, стати причиною перегріву гнізда прикурювача, викликати пожежу і травми.
- Слідкуйте за тим, щоб струмоведучі кабелі не були пошкоджені шляхом переїзду через них, здавлювання, розтягування і т.п. Захищайте струмоведучі кабелі від впливу спеки, нафтопродуктів, а також від пошкодження гострими краями.
- Забороняється використовувати пристрій в місцях з запиленою атмосферою, а також з атмосферою, що містить вибухонебезпечні гази і випаровування агресивних речовин.
- Перед початком роботи необхідно переконатися, що пристрій встановлено далеко від легкозаймистих речовин, і ніякі зовнішні чинники не перешкоджають його нормальному охолодженню.

Українська

- Використовуйте пристрій тільки відповідно до його призначення. При роботі з пристроєм враховуйте місцеві особливості і звертайте увагу на інших осіб, які перебувають поблизу.
- Використовуйте пристрій тільки з приладдям, що входить у комплект поставки.
- Пристрій призначений тільки для накачування різних виробів (шин транспорту, спортивного інвентарю) - не підключайте до пристрою пневмоінструменти.
- Пристрій не призначений для накачування великих надувних виробів - надувних ліжок, човнів і т.п.
- Не використовуйте стиснене повітря, вироблене пристроєм, для медичних або фармацевтичних потреб.
- Цей пристрій не придатний для наповнення балонів аквалангів, нагнітання повітря в повітряні ресивери, балони і амортизатори.
- Не залишайте пристрій без нагляду під час роботи.
- Категорично заборонено експлуатацію пристрою дітьми. Не дозволяйте дітям гратися з пристроєм.
- Не допускайте знаходження тварин у зоні, де використовується пристрій.
- Забороняється використовувати пристрій особам (включаючи дітей) зі зниженим фізичними, чуттєвими або розумовими здібностями, якщо вони не знаходяться під контролем або не проінструктовані про використання пристрою особою, відповідальною за їхню безпеку.
- При роботі пристроєм будьте уважні і добре обмірковуйте свої дії. Не користуйтеся пристроєм в разі якщо ви втомилися, або перебуваєте під впливом наркотиків, алкоголю або медикаментів. Втрата уваги під час роботи може стати причиною серйозних травм.
- Не працюйте пристроєм під час грози, сильного дощу або снігу.
- Не торкайтеся працюючого пристрою мокрими руками.
- Не занурюйте пристрій або його частини в воду або інші рідини.
- При роботі забезпечте стійкість пристрою, щоб запобігти нещасним випадкам або пошкодженням у результаті перекидання. Категорично забороняється використовувати пристрій на висоті, наприклад, встановивши його на крило автомобіля, або підвісивши його.
- Не перевищуйте максимальний тиск в шинах або інших виробках, які можна накачати (максимальний тиск зазвичай вказується на покришці або на спортивному інвентарі).
- Не використовуйте пристрій безперервно більше 20 хвилин, це може привести до перегріву пристрою і стати причиною його поломки. В цьому випадку ви втратите право на гарантійний ремонт. Перед повторним використанням дайте пристрою охолонути протягом не менше 20 хвилин.
- Рухайте пристрій тільки за транспортувальну ручку. Ніколи не використовуйте повітряний шланг або струмопровідні кабелі для переміщення пристрою.
- Будьте обережні, під час роботи пристрою деякі його частини сильно нагріваються.
- Не використовуйте легкозаймисті або їдкі речовини для чищення пристрою.
- Після закінчення роботи почекайте, поки пристрій охолоне, тільки після цього його можна накривати або надягати на нього захисний чохол.



Обслуговування пристрою

Обслуговування Вашого пристрою має здійснюватися кваліфікованими фахівцями з використанням рекомендованих запасних частин. Це дає гарантію того, що безпека Вашого пристрою буде збережена.

Символи, які використовуються в інструкції

В інструкції використовуються нижченаведені символи, запам'ятайте їх значення. Правильна інтерпретація символів допоможе використовувати пристрій правильно і безпечно.

Символ	Значення
	Наклейка з серійним номером: CT ... - модель; XX - дата виробництва; XXXXXXX - серійний номер.
	Ознайомтесь з усіма вказівками з техніки безпеки та інструкціями.
	Не працюйте під час дощу або в сніг.
	Напрямок руху.
	Напрямок обертання.
	Заблоковано.
	Розблоковано.
	Роз'єм автомобільного прикурювача.
	Знак, який засвідчує, що виріб відповідає основним вимогам директив ЄС та гармонізованим стандартам Європейського Союзу.

Символ	Значення
	Увага. Важлива інформація.
	Корисна інформація.
	Не викидайте пристрій разом із побутовим сміттям.

Призначення пристрою

Автомобільний компресор призначений для накачування автомобільних, мотоциклетних і велосипедних шин, а також різного спортивного інвентарю.

Елементи пристрою

- 1 LED ліхтар
- 2 Вмикач / вимикач LED ліхтаря
- 3 Корпус
- 4 Рукоятка для транспортування
- 5 Манометр
- 6 Затискач "+"
- 7 Затискач "-"
- 8 Струмоведачий кабель
- 9 Наконечник
- 10 Повітряний шланг
- 11 Вмикач / вимикач
- 12 Опора
- 13 Змінні насадки *
- 14 Подовжувальний шланг *
- 15 Вентиляційні отвори
- 16 LCD дисплей
- 17 Штекер
- 18 Кнопка "-"
- 19 Кнопка "Set"
- 20 Кнопка "+"
- 21 Захисний ковпачок *

* Приналежності

Перераховані, а також зображені принадлежности, частково не входять у комплект постачання.

Монтаж і регулювання елементів пристрою

Перед проведенням усіх процедур обов'язково відключіть пристрій від акумуляторної батареї автомобіля або витягніть штекер з роз'єму прикурювача.



Не затягуйте дуже сильно кріпильні елементи, щоб не пошкодити їх різьблення.

Установка / заміна приладдя (див. мал. 1-2)

[СТ36059, СТ36060]

Приєднайте / від'єднайте одну зі змінних насадок **13** до наконечника **9**, як показано на мал. 1.

[СТ36036]

Приєднайте / від'єднайте шланг **14** або одну зі змінних насадок **13** до наконечника **9**, як показано на мал. 2.

Введення в експлуатацію пристрою

- Переконайтеся в тому, що наявна напруга в бортовій мережі автомобіля відповідає даним, зазначеним на корпусі пристрою.
- Перевірте стан струмоведачого кабелю **8**. У разі виявлення пошкоджень, необхідно замінити його.
- Перевірте стан повітряного шлангу **10** або подовжувального шлангу **14**, в разі виявлення пошкоджень, необхідно замінити їх.

Ввімкнення / вимкнення пристрою

[СТ36059]

Включення:

Натисніть і відпустіть вмикач/вимикач **11** (див. мал. 4.3).

Вимкнення:

Натисніть і відпустіть вмикач/вимикач **11** (див. мал. 4.3).

[СТ36060, СТ36036]

Включення:

Вмикач / вимикач **11** встановіть в положення "ON" (див. мал. 6.3, 8.3).

Вимкнення:

Вмикач / вимикач **11** встановіть в положення "OFF" (див. мал. 6.4, 8.4).

Конструктивні особливості пристрою

Температурний захист

Температурний захист запобігає пошкодженню пристрою, відключаючи його при надмірних навантаженнях і перегріві. При спрацьовуванні температурного захисту, вимкніть пристрій від мережі, усуньте причину, що викликала спрацьовування захисту, дайте пристрою охолонути і тільки тоді продовжуйте роботу.

Вибір одиниць вимірювання

[СТ36060]

Натисніть і відпустіть кнопку **19**. Вибрані одиниці виміру відобразяться на LCD дисплеї **16** (psi, kPa, bar).

Установка тиску

[СТ36060]

Натисніть і відпустіть кнопку **18** або **20**, щоб встановити бажаний тиск, потім натисніть кнопку **19**, щоб зафіксувати це значення. При досягненні встановленого тиску пристрій автоматично вимкнеться.

LED ліхтар (див. мал. 5, 7, 9)

LED ліхтар **1** дозволяє вести роботи в умовах недостатньої освітленості.

[СТ36059, СТ36060]

- Для вимкнення LED ліхтаря натисніть і відпустіть кнопку вмикання / вимикання **2** (див. мал. 5, 7).
- Для вимкнення LED ліхтаря натисніть і відпустіть кнопку вмикання / вимикання **2** (див. мал. 5, 7).

[СТ36036]

- Для вмикання LED ліхтаря вмикач / вимикач **2** встановіть в положення "ON" (див. мал. 9.1).
- Для вимкнення LED ліхтаря вмикач / вимикач **2** встановіть в положення "OFF" (див. мал. 9.2).

Рекомендації при роботі пристроєм

Перед початком роботи

- Якщо необхідно, підключіть до пристрою подовжувальний шланг **14** (СТ36036).
- Якщо ви збираєтеся накачувати спортивний інвентар, встановіть одну з відповідних змінних насадок **13**.
- Необхідно повністю розмотувати струмоведучий кабель **8**, це підвищує ефективність роботи пристрою.

Загальні рекомендації (див. мал. 3-9)

- **СТ36059, СТ36060** - витягніть прикурювач і вставте в роз'єм штекер **17**, як показано на мал. 3.
- **СТ36036** - підключіть пристрій до акумуляторної батареї автомобіля, як показано на мал. 8. При підключенні пристрою до акумуляторної батареї автомобіля дотримуйтеся полярності: затискач **6** ("+", з ручками червоного кольору) підключайте до виводу "+" акумуляторної батареї; затискач **7** ("-", з ручками чорного кольору) підключайте до виводу "-" акумуляторної батареї.
- Скрутіть захисний ковпачок **21** з ніпеля шини (див. мал. 4.1, 6.1, 8.1).
- Накрутіть наконечник **9** на ніпель шини (див. мал. 4.2, 6.2, 8.2).
- Увімкніть пристрій.
- Накачайте шину, стежачи при цьому за показаннями LCD дисплея **16** (СТ36059, СТ36060) або манометра **5** (СТ36036). При досягненні бажаного тиску вимкніть пристрій.
- Скрутіть наконечник **9** з ніпеля шини.

- Накрутіть захисний ковпачок **21** на ніпель шини.
- Вимкніть пристрій від акумуляторної батареї автомобіля або витягніть штекер **17** з роз'єму прикурювача.

Обслуговування / профілактика пристрою

Перед проведенням усіх процедур обов'язково відключіть пристрій від акумуляторної батареї автомобіля або витягніть штекер з роз'єму прикурювача.

Чищення апарата

Необхідно періодично очищувати зовнішню поверхню пристрою м'якою щіткою і ганчіркою, а також обдувати деталі пристрою стисненим повітрям. Не використовуйте для очистки пристрою їдкі речовини і розчинники.

Післяпродажне обслуговування

Відповіді на питання щодо ремонту та обслуговування вашого продукту Ви можете отримати в сервісних центрах. Інформацію про сервісні центри, схеми запчастин та інформацію по запчастинах Ви можете знайти за адресою: www.crown-tools.com.

Транспортування пристрою

- **СТ36036** - рухайте пристрій тільки за рукоятку **4**, або переносьте пристрій підтримуючи його знизу. Забороняється переміщувати пристрій за інші частини (підтягувати його за шланги або струмоведучий кабель і т.п.).
- Не допускайте падіння упаковки, а також будь-якого механічного впливу на неї транспортуванні.
- При завантаженні / розвантаженні не використовуйте навантажувальну техніку що працює за принципом затиску упаковки.

Захист навколишнього середовища



Переробка сировини замість утилізації відходів.

Пристрій, додаткове приладдя і упаковку слід екологічно чисто утилізувати. Пристрій, додаткове приладдя і упаковку слід екологічно чисто утилізувати. В інтересах чистосортної рециркуляції відходів деталі із синтетичних матеріалів відповідно позначені. Дійсний посібник з експлуатації надрукований на папері, виготовленій з вторсировини без застосування хлору.

Обновляється можливість внесення змін.

Українська

Құрылғының техникалық сипаттамалары

Көлік компрессоры		СТ36059	СТ36060	СТ36036
Құрылғы коды		422552	422569	421470
Есептелген кернеу	[В]	≡ 12	≡ 12	≡ 12
Макс. қуат	[Вт]	60	120	200
Макс. тоқ	[А]	<6.5	<12	<18
Өнімділігі	[л/мин]	13	30	45
Макс. қысым	[МПа] [бар]	10,34 150	6,89 100	7 101.52
Үздіксіз жұмыс уақыты	[мин]	<20	<20	<20
Қоршаған орта температурасы	[°С]	-6°С ... +49°С	-20°С ... +50°С	-20°С ... +50°С
Салмағы	[кг] [фунт]	0,5 1.1	1,75 3.86	3,3 7.28
Дыбыс қысымы	[дБ(А)]	85	80	85

Шу туралы ақпарат



Дыбыс қысымы осетін болса, әрдайым құлақ қорғаушысын киіңіз 85 дБ(А)

• Бұл құрылғы тек 12В тұрақты тоқ қуат көзінен қуат алуға жобаланған. Ешбір басқа қуат көзін пайдаланбаңыз және құрылғының дизайнын өзгертпеңіз. Көлік аккумуляторының заряды тым төмен болса, көлік желісінің кернеуі құрылғының тиімді жұмыс істеуіне жеткіліксіз болуы мүмкін. Мұндай жағдайда құрылғыны көлік қозғалтқышы қосулы кезде пайдалану ұсынылады.

CE Сәйкестік жөнінде мәлімдеме

Біз тек өзімізге жауапкершілік алып, "Құрылғының техникалық сипаттамалары" бөлімінде сипатталған өнім 2006/42/ЕС директиваларының барлық қатысты шарттарына, соның ішінде олардың түзетулеріне сай екенін және келесі стандарттарға сай екенін жариялаймыз: EN ISO 12100:2010, EN 1012-1:2010, EN60204-1:2006/AC:2010.

Сертификаттау менеджері  Wu Cunzhen

Merit Link International AG
Stabio, Швейцария, 30.11.2018



Назар аударыңыз! Желдету жеткіліксіз бөлмелерде көлік қозғалтқышын іске қосуға қатаң тыйым салынған; бұл газдан улануға және өлімге әкелуі мүмкін.

- Темекі тұтандырғыштың тізбегінде орнатылған сақтандырғышты тексеріңіз. Ол кем дегенде 10А (15А ұсынылған) токқа арналған болуы керек.
- Кірді, күлді немесе басқа заттардың темекі жеңілдетілген розеткасына кіруіне жол бермеңіз. Бөгде заттар электр тоғының бұзылуына әкеліп соғуы мүмкін, темекіні тұтандырғышының қызып кетуіне себеп болады және өрт пен жарақат тудыруы мүмкін.
- Қуат кабелі және ұзартқыш сымдар шалыну, жаншылу, созу, т.б. арқылы зақымдалмағанын тексеріңіз. Қуат кабельдерін жылудан, май өнімдерінен және үшкір жиектерден зақымдалулардан қорғаңыз.
- Құрылғыны шаңды атмосфера бар, сонымен бірге жарылғыш газдарды және агрессивті заттардың буларын қамтитын атмосфера бар жерлерде пайдалануға тыйым салынады.
- Жұмысты бастау алдында құрылғы тұтанғыш заттардан алыс екеніне және сыртқы факторлар қалыпты салқындалуға кедергі келтірмейтініне көз жеткізіңіз.
- Құрылғыны тек мақсатына сай пайдаланыңыз. Жергілікті жағдайларды ескеріңіз және құрылғыны

Қауіпсіздік туралы жалпы нұсқаулар



НАЗАР АУДАРЫҢЫЗ! Құрылғыны бірінші рет пайдалану алдында осы нұсқауларды мұқият оқып шығып, осында көрсетілген барлық ережелер мен ұсыныстарды сақтаңыз. Бастапқы нұсқауларды болашақта анықтама алу үшін немесе болашақ иесі үшін сақтаңыз. Осында бар қауіпсіздік шараларына қоса, жалпы заңды қауіпсіздік ережелерін және сәтсіз жағдайларды болдырмау туралы нұсқауларды орындаңыз.

Қазақ тілі

пайдаланғанда айналадағы басқа адамдарға назар аударыңыз.

- Құрылғыны тек құрылғымен бірге қамтамасыз етілген қосалқы құралдармен бірге пайдаланыңыз.
- Құрылғы тек әртүрлі заттарды (көлік шиналары, спорттық жабдық) үрлеуге арналған. Құрылғыға пневматикалық құралдарды жалғамаңыз.
- Құрылғы үлкен үрленетін заттарды, мысалы, үрленетін төсектерді, қайықтарды, т.б. үрлеуге арналмаған.
- Құрылғы тудырған қысымдалған ауаны медициналық немесе фармацевтикалық мақсаттарда пайдаланбаңыз.
- Құрылғы ауа цилиндрлерін толтыруға, ауа қабылдағыштарды, контейнерлерді және соққы амортизаторларын ауамен қамтуға арналмаған.
- Құрылғыны жұмыс істеп жатқанында қараусыз қалдырмаңыз.
- Балалардың пайдалануына қатаң түрде тыйым салынады. Балаларға құрылғымен ойнауға рұқсат етпеңіз.
- Аумақтағы жануарлардың құрылғыны пайдалануына жол бермеңіз.
- Дене, сезім немесе ақыл-ой қабілеттері шектеулі адамдардың (соның ішінде балалардың) құрылғыны пайдалануына қатаң тыйым салынған. Қауіпсіздігіне жауапты адам(дар) қадағаласа немесе құрылғыны пайдалану туралы нұсқаулар беріп тұрса ғана пайдаланулары керек.
- Құрылғыны пайдаланғанда әрбір әрекетте қырағы және сақ болыңыз. Шаршап тұрсаңыз немесе дәрілер, алкоголь немесе дәрі-дәрмектер әсерінде болсаңыз, құрылғыны пайдаланбаңыз. Пайдалану кезінде зейінді жоғалту ауыр жарақаттарға әкелуі мүмкін.
- Найзағайлар кезінде, қатты жауын немесе қар жауғанда құрылғыны пайдаланбаңыз.
- Жұмыс істеп жатқан құрылғыға ылғалды қолдармен тимеңіз.
- Құрылғыны немесе оның бөліктерін суға немесе басқа сұйықтықтарға батырмаңыз.
- Жұмыс істеп жатқанында аударылу нәтижесінде болатын сәтсіз жағдайларды немесе жарақаттарды болдырмау үшін құрылғының тұрақтылығын қамтамасыз етіңіз. Құрылғыны биіктікте пайдалануға қатаң тыйым салынған, мысалы, көлік шашыратқышында болса немесе ілінген болса.
- Максималды шина қысымын немесе басқа үрленетін заттардың максималды үрлеу қысымын асырмау керек (максималды қысым әдетте шинада немесе спорттық жабдықта көрсетіледі).
- Құрылғыны 20 минуттан астам үздіксіз пайдаланбаңыз, өйткені бұл құрылғының қызып кетуіне және істен шығуына әкелуі мүмкін. Мұндай жағдайда кепілдік бойынша жөндеуге құқылы болмайсыз. Қайтадан пайдалану алдында құрылғының кемінде 20 минут бойы салқындауына мүмкіндік беріңіз.
- Құрылғыны тек тасымалдау тұтқаларын пайдаланып жылжытыңыз. Құрылғыны жылжыту үшін ауа шлангысын немесе қуат кабелін ешқашан пайдаланбаңыз.
- Құрылғыны пайдаланғанда сақ болыңыз, өйткені оның кейбір бөліктері өте қызады.
- Құрылғыны тазалау үшін тұтанғыш немесе коррозивті заттарды пайдаланбаңыз.
- Жұмысты аяқтаудан кейін құрылғы салқындағанша күтіңіз, тек содан кейін оны жабуға немесе қорғағыш қапқа салуға болады.

Құрылғыға техникалық қызмет көрсету


Құрылғыға техникалық қызмет көрсету жұмыстарын білікті қызметкер жүргізуі тиіс және ұсынылған қосалқы бөлшектер пайдаланылуы қажет. Бұл құрылғы қауіпсіздігінің сақталуын қамтамасыз етеді.

Нұсқаулықта пайдаланылған таңбалар

Пайдалану нұсқаулығында келесі таңбалар пайдаланылған, олардың мағыналарын есте сақтаңыз. Таңбаларды дұрыс түсіну құрылғыны дұрыс және қауіпсіз пайдалануға мүмкіндік береді.

Таңба	Мағына
	Сериялық нөмір бар жапсырма: СТ ... - үлгі; XX - өндіру күні; XXXXXXX - сериялық нөмір.
	Қауіпсіздік техникасы туралы барлық нұсқаулармен және нұсқаулармен танысыңыз.
	Жаңбыр немесе қар жауып жатқанда жұмыс істемеңіз.
	Қозғалыс бағыты.
	Айналу бағыты.
	Бұғатталған.
	Бұғаттаудан шығарылған.
	Темекі тұтандырғышы.
	Бұйым ЕО директиваларының негізгі талаптарына және Еуропалық Одақтың үйлестірілген стандарттарына сай екенін куәландыратын белгі.

Қазақ тілі

Таңба	Мағына
	Назар аударыңыз. Маңызды ақпарат.
	Пайдалы ақпарат.
	Құрылғыны тұрмыстық қоқыс контейнеріне лақтыруға болмайды.

Құрылғының мақсаты

Көлік компрессоры көлік, мотоцикл және велосипед шиналарын әрі әртүрлі спорттық жабдықтарды үрлеуге арналған.

Құрылғы құрамдастары

- 1 LED шамы
- 2 LED шамын қосу / өшіру ауыстырып-қосқышы
- 3 Корпус
- 4 Ұстау тұтқасы
- 5 Манометр
- 6 "+" қысқышы
- 7 "-" қысқышы
- 8 Қуат кабелі
- 9 Саптама
- 10 Ауа шланғысы
- 11 Қосу / өшіру ауыстырып-қосқышы
- 12 Қолдау
- 13 Ауыстырылатын ұштар *
- 14 Ұзартқыш шланг *
- 15 Ауа алмасатын тесіктер
- 16 LCD дисплей
- 17 Тығын
- 18 "-" пернесі
- 19 "Set" пернесі
- 20 "+" пернесі
- 21 Ниппель қақпағы *

* Қосымша құрамдастар

Кейбір суреттелген немесе сипатталған құрамдастар стандарттық жабдықтау ретінде қосылмаған.

Құрылғы элементтерін орнату және реттеу

Процедураларды орындамас бұрын құрылғыны темекі тұтандырғышы немесе көлік аккумуляторынан ажыратыңыз.



Бекіткіш бөлшектер бұрандаларын бұзып алмау үшін тым қатты тартпаңыз.

Керек-жарақтарды орнату / ауыстыру (1-2 сур. қараңыз)

[СТ36059, СТ36060]

Ауыстырылатын тиектердің 13 бірін 1 сур. Көрсетілгендей саңылауға 9 жалғаңыз / ажыратыңыз.

[СТ36036]

Шланғыны 14 немесе ауыстырылатын ұштардың біреуін 13 саптамаға 9 2 сур. көрсетілгендей жалғаңыз.

Құрылғыны бастапқы пайдалану

- Көлік желісіндегі кернеу құрылғы корпусында көрсетілген деректерге сай екеніне көз жеткізіңіз.
- Қуат кабелін 8 тексеріңіз. Зақымдар бар болса, оны ауыстырыңыз.
- Ауа шланғысын 10 немесе ұзартқыш шлангты 14 тексеріңіз. Зақымдар бар болса, оларды ауыстырыңыз.

Құрылғыны қосу / өшіру

[СТ36059]

Қосу:

Қосу / өшіру қосқышын 11 басыңыз және жіберіңіз (4.3 сур. қараңыз).

Өшіру:

Қосу / өшіру қосқышын 11 басыңыз және жіберіңіз (4.3 сур. қараңыз).

[СТ36060, СТ36036]

Қосу:

Қосу / өшіру ауыстырып-қосқышын 11 "ON" күйіне орнатыңыз (6.3, 8.3 сур. қараңыз).

Өшіру:

Қосу / өшіру ауыстырып-қосқышын 11 "OFF" күйіне орнатыңыз (6.4, 8.4 сур. қараңыз).

Құрылғының дизайн мүмкіндіктері

Температуралық қорғаныс

Температуралық қорғаныс құрылғыны шамадан тыс жүктеме немесе қызып кету жағдайында өшіру арқылы оны зақымдалудан қорғайды. Температуралық қорғаныс белсендірілген кезде, құрылғыны қуат көзінен ажыратып, бұл функцияның белсендірілу себебін жойыңыз. Содан кейін құрылғыны суытып, жұмысты жалғастырыңыз.

Өлшем бірліктерін таңдау

[СТ36060]

Түймешікті 19 басып, жіберіңіз. LCD дисплейде 16 таңдалған өлшем бірліктері көрсетіледі (psi, kPa, bar).

Қысым параметрлері

[СТ36060]

Қажетті қысымды орнату үшін **18** немесе **20** түймешіктерін басып, жіберіңіз, кейін осы мәнді түзету үшін **19** түймешігін басыңыз. Қажетті қысымға жеткенде құрылғы автоматты түрде тоқтайды.

LED шамы (5, 7, 9 сур. қараңыз)

LED шамы **1** төмен жарық жағдайында жұмыс істеуді мүмкін етеді.

[СТ36059, СТ36060]

- LED шамын қосу үшін, LED шамын қосу / өшіру қосқышын **2** басып жіберіңіз (5, 7 сур. қараңыз).
- LED шамын қосу үшін, LED шамын қосу / өшіру қосқышын **2** басып жіберіңіз (5, 7 сур. қараңыз).

[СТ36036]

- LED шамын қосу үшін қосу / өшіру ауыстырып-қосқышын **2** "ON" күйіне орнатыңыз (9.1 сур. қараңыз).
- LED шамын қосу үшін қосу / өшіру ауыстырып-қосқышын **2** "OFF" күйіне орнатыңыз (9.2 сур. қараңыз).

Құрылғыны пайдалану туралы ұсыныстар

Жұмысты бастамас бұрын

- Қажет болса, ұзартқыш шлангыны **14** құрылғыға жалғаңыз (**СТ36036**).
- Спорттық жабдықты үрлейін деп жатсаңыз, тиісті ауыстырылатын ұшты **13** орнатыңыз.
- Қуат кабелін **8** толығымен тарқату керек, өйткені бұл құрылғы жұмысының тиімділігін жақсартады.

Жалпы ұсыныстар (3-9 сур. қараңыз)

- **СТ36059, СТ36060** - 3 сур. көрсетілгендей, темекі тұтандырғышын шығарып, тығынды **17** темекі тұтандырғышының орнына салыңыз.
- **СТ36036** - құрылғыны көлік аккумуляторына **8** сур. көрсетілгендей жалғаңыз. **Құрылғыны көлік аккумуляторына жалғағанда полюстерді ескеріңіз: 6-қысқышты ("+", қызыл тұтқалар) аккумулятордың "+" шығысына жалғау керек; 7-қысқышты ("-", қара тұтқалар) аккумулятордың - шығысына жалғау керек.**
- Ниппель қақпағын **21** шина ниппелінен бұрап алыңыз (4.1, 6.1, 8.1 сур. қараңыз).
- Саптаманы **9** ниппельге бұраңыз (4.2, 6.2, 8.2 сур. қараңыз).
- Құрылғыны қосыңыз.
- LCD дисплейі **16 (СТ36059, СТ36060)** немесе манометр **5 (СТ36036)** көрсеткіштерін ескере

отырып, шинаны үрлеңіз. Қажетті қысымға жеткенде құрылғыны өшіріңіз.

- Саптаманы **9** шина ниппелінен бұрап алыңыз.
- Ниппель қақпағын **21** ниппельге бұраңыз.
- Құрылғыны темекі тұтандырғышының немесе көлік аккумуляторының розеткасынан ажыратыңыз.

Құрылғыға техникалық қызмет көрсету / алдын-алу шаралары

Процедураларды орындамас бұрын құрылғыны темекі тұтандырғышы немесе көлік аккумуляторынан ажыратыңыз.

Құрылғыны тазалау

Құрылғының сыртқы бетін мерзімді түрде жұмсақ қылшақ пен шүберектің көмегімен, ал құрылғы бөлшектерін сығылған ауамен үрлеп тазалап тұру қажет. Құрылғыны тазалау үшін күйдіргіш заттар мен еріткіштерді пайдаланбаңыз.

Сатудан кейінгі қызмет және өтінім бойынша қызмет

Біздің сатудан кейінгі қызмет өнімге техникалық қызмет көрсетуге және оны жөндеуге, сонымен бірге, қосалқы бөлшектерге қатысты сұрақтарыңызға жауап береді. Сондай-ақ, сервистік орталықтар туралы ақпаратты, бөліктердің диаграммаларын және қосалқы бөлшектер туралы ақпаратты мына бетте табуға болады: www.crown-tools.com.

Құрылғыларды тасымалдау

- **СТ36036** - құрылғыны тек тұтқасынан **4** ұстап немесе астынан ұстап көтеру арқылы жылжытыңыз. Құрылғыны басқа бөлшектерінен ұстап (шлангілерінен, қуат кабелінен немесе т.б. бөлшектерінен тартып) жылжытуға болмайды.
- Тасымалдау кезінде қаптамаға ешбір механикалық әсерді тигізуге болмайды.
- Жүкті түсіргенде / жүктегенде қысып орау қағидатымен жұмыс істейтін ешбір технология түрін пайдалануға рұқсат етілмеген.

Қоршаған ортаны сақтау



Шикізатты қоқыс ретінде пайдаға асырудың орнына қайта қолдануға жіберіңіз.

Құрылғыны, қосалқы құралдарды және орауышты қоршаған ортаға зиянсыз қайта өңдеу үшін сұрыптау керек. Пластикалық компоненттер сыныпталған қайта қолдану үшін белгіленген. Бұл нұсқаулар қайта қолданылатын хлорин қосылмаған қағазда басып шығарылған.

Өндіруші өзгерістер енгізуі мүмкін.

Қазақ тілі

28

التوصيات العامة (انظر الشكل 9-3)

خدمات ما بعد البيع وخدمة التركيب

تستجيب خدمة ما بعد البيع لدينا لأسئلتك المتعلقة بالصيانة والإصلاح للمنتج الخاص بك وكذلك قطع الغيار. ويمكن أيضا الحصول على معلومات عن مراكز الخدمة والرسوم البيانية للقطع ومعلومات حول قطع الغيار على: www.crown-tools.com

نقل الأجهزة

- **CT36036** - لا تحرك الجهاز إلا باستخدام المقيض 4 أو حملة ودعمه من القاعدة. لا تحرك الجهاز عن طريق أجزاء أخرى (عن طريق سحب الخراطيم أو كابل الطاقة أو غيره).
- بشكل قاطع لا تسقط أي تأثير ميكانيكي على العبوة أثناء النقل.
- عند التفريغ / التحميل لا يجوز استخدام أي نوع من التقنيات التي تعمل بمبدأ أقمط الحمولة.

حماية البيئة

قم بإعادة تدوير المواد الخام بدلاً من التخلص منها كنفائيات.



يجب أن يفرز الجهاز والملحقات والتعبئة والتغليف لعملية إعادة تدوير صديقة للبيئة.

توجد علامات على المكونات البلاستيكية لإعادة التدوير حسب الفئة. هذه التعليمات مطبوعة على ورق معاد تدويره ومصنع دون كلور.

- **CT36059, CT36060** - أخرج ولاعة السجائر وأدخل القابس 17 في مقبس الولاة كما هو موضَّح في الشكل 3.
- **CT36036** - قم بتوصيل الجهاز ببطارية السيارة كما هو مبين في الشكل 8. راقب القطبية عند توصيل الجهاز ببطارية السيارة: المشبك 6 "+" مع مقابض حمراء) يجب أن يكون متصلاً بالخرج "+" للبطارية. المشبك 7 ("-") مع مقابض سوداء) يجب أن يكون متصلاً بالخرج - للبطارية.
- فك غطاء البلف 21 من بلف الإطار (انظر الشكل 4.1, 6.1, 8.1).
- اربط الفوهة 9 ببلف الإطار (انظر الشكل 4.2, 6.2, 8.2).
- قم بتشغيل الجهاز.
- قم بنفخ الإطار، مع ملاحظة المؤشرات على شاشة LCD 16 (**CT36059, CT36060**) أو مقياس ضغط الموانع 5 (**CT36036**). بعد الوصول إلى الضغط اللازم قم بإيقاف تشغيل الجهاز.
- فك ربط الفوهة 9 من بلف الإطار.
- اربط غطاء البلف 21 ببلف الإطار.
- افصل الجهاز عن مقبس الولاة أو بطارية السيارة.

تدابير صيانة الجهاز / التدابير الوقائية

افصل الجهاز من مقبس الولاة أو بطارية السيارة قبل البدء في أي إجراء.

تنظيف الجهاز

يجب تنظيف السطح الخارجي للجهاز بشكل دوري بفرشاة ناعمة وقطعة قماش، ونفخ أجزاء الجهاز بالهواء المضغوط. لا تستخدم المواد الكاوية أو المذيبات لتنظيف الجهاز.

تحتفظ الشركة المصنعة بإمكانية إدخال تغييرات.

العربية

[CT36036, CT36060]

التشغيل:
تعيين مفتاح التشغيل / الإيقاف **11** على الوضع "ON" (انظر الشكل 6.3, 8.3).
إيقاف التشغيل:
تعيين مفتاح التشغيل / الإيقاف **11** على الوضع "OFF" (انظر الشكل 6.4, 8.4).

خصائص تصميم الجهاز

حماية درجة الحرارة

تتمتع حماية درجة الحرارة تلف الجهاز، وتقوم بإيقاف تشغيله أثناء الأحمال الزائدة وارتفاع درجة الحرارة. عند تنشيط حماية درجة الحرارة، يفصل الجهاز من التيار الكهربائي، واقتض على السبب الذي أدى إلى تشغيل الحماية، ودع الجهاز يبرد، وبعد ذلك استمر في العمل.

اختيار وحدات القياس

[CT36060]

اضغط على الزر **19** ثم حرره. يتم عرض وحدات القياس المختارة على شاشة **16 LCD** (psi (رطل في البوصة المربعة)، kPa (كيلو باسكال)، bar (بار)).

ضبط الضغط

[CT36060]

اضغط على الأزرار **18** أو **20** لضبط الضغط المطلوب؛ ثم حرره واضغط على **19** لتثبيت هذه القيمة. سيتوقف الجهاز تلقائيًا بمجرد الوصول إلى الضغط المطلوب.

مصباح LED (انظر الشكل 5, 7, 9)

مصباح **1 LED** يجعل من السهل العمل في ظروف الإضاءة المنخفضة.

[CT36060, CT36059]

• اضغط على مفتاح التشغيل / الإيقاف للمصباح **2** وحرره لتشغيله (انظر الشكل 5, 7).
• اضغط على مفتاح التشغيل / الإيقاف للمصباح **2** وحرره لإيقاف تشغيله (انظر الشكل 5, 7).

[CT36036]

• تعيين مفتاح التشغيل / الإيقاف **2** على الوضع "ON" لتشغيل مصباح LED (انظر الشكل 9.1).
• تعيين مفتاح التشغيل / الإيقاف **2** على الوضع "OFF" لإطفاء مصباح LED (انظر الشكل 9.2).

توصيات حول تشغيل الجهاز

قبل بدء العمل

• إذا لزم الأمر فاربط خرطوم التمديد **14** إلى الجهاز (**CT36036**).
• إذا كنت ستنفخ معدة رياضية، فضع طرف الاستبدال المناسب **13**.
• يجب أن يكون كيل الطاقة **8** انسيابيًا تمامًا حيث يحسن كفاءة عمل الجهاز.

العربية

9 الفوهة

- 10 خرطوم الهواء
- 11 مفتاح التشغيل / إيقاف التشغيل
- 12 ركيزة
- 13 أطراف قابلة للاستبدال *
- 14 خرطوم تمديد *
- 15 فتحات التهوية
- 16 شاشة LCD (تقنية الكريستال السائل)
- 17 قايس
- 18 زر "-"
- 19 زر "Set"
- 20 زر "+"
- 21 غطاء البلف *

* اختياري إضافي

لا يتم تضمين كل الملحقات الموضحة أو الموصوفة في التسليم القياسي.

التركيب وتنظيم عناصر الجهاز

افصل الجهاز من مقبس الولاة أو بطارية السيارة قبل البدء في أي إجراء.

لا تتبالغ في إحكام ربط عناصر الربط لتجنب إلحاق ضرر بسن اللولب.



تركيب / استبدال الملحقات (انظر الشكل 1)

[CT36060, CT36059]

قم بتوصيل / فصل أحد الأطراف القابلة للاستبدال **13** بالفوهة **9**، كما هو موضح في الشكل 1.

[CT36036]

توصيل / فصل الخرطوم **14** أو أحد الأطراف القابلة للاستبدال **13** بالفوهة **9**، كما هو مبين في الشكل 1.

التشغيل الأولي للجهاز

• تأكد من أن الجهد في شبكة السيارة يتوافق مع البيانات المشار إليها على هيكل الجهاز.
• تحقق من كبل الطاقة **8** واستبدله في حال تضرره.
• افحص خرطوم الهواء **10** أو خرطوم التمديد **14**. واستبدلهما في حال التضرر.

تشغيل الجهاز / إيقاف تشغيله

[CT36059]

التشغيل:

اضغط على مفتاح التشغيل / الإيقاف **11** وحرره (انظر الشكل 4.3).
إيقاف التشغيل:
اضغط على مفتاح التشغيل / الإيقاف **11** وحرره (انظر الشكل 4.3).

الرمز	المعنى
	اتجاه الحركة.
	اتجاه الدوران.
	مقفل.
	غير مقفل.
	مقيس ولاعة السجائر.
	علامة تشهد أن المنتج يتوافق مع المتطلبات الأساسية لتوجيهات الاتحاد الأوروبي ومعايير الاتحاد الأوروبي المنسقة.
	تنبيه مهم.
	معلومات مفيدة.
	لا تتخلص من الجهاز في حاوية النفايات المنزلية.

- امنع تواجد الحيوانات في مجال استخدام الجهاز.
- يمنع منعاً باتاً تشغيل الجهاز من قبل الأشخاص (بما في ذلك الأطفال) ذوي القدرات البدنية أو الحسية أو العقلية المحدودة، ما لم يتم الإشراف عليهم أو توجيههم بشأن تشغيل الأجهزة من قبل الشخص (الأشخاص) المسؤول عن سلامتهم.
- احرص على الاستمرار في التركيز والتدبر في كل إجراء عند تشغيل الجهاز. لا تستخدم الجهاز إذا كنت تشعر بالتعب أو عندما تكون تحت تأثير المخدرات أو الكحول أو الأدوية. فقدان الانتباه أثناء التشغيل قد يسبب إصابات خطيرة.
- لا تستخدم الجهاز أثناء العواصف الرعدية أو الأمطار الغزيرة أو الثلوج.
- لا تلمس الجهاز في وضع التشغيل بأيدي مبللة.
- لا تغمس الجهاز أو أجزائه في الماء أو سوائل أخرى.
- عند العمل، تأكد من استقرار الجهاز لمنع الحوادث أو الإصابات الناجمة عن الانقلاب. يمنع منعاً باتاً استخدام الجهاز على ارتفاع، على سبيل المثال إذا كان موجوداً على مانع رذاذ السيارة أو إذا كان معلقاً.
- يجب عدم تجاوز الضغط الأقصى للإطارات أو المواد الأخرى القابلة للنفخ (عادةً ما يُذكر أقصى ضغط على الإطارات أو المعدات الرياضية).
- لا تستخدم الجهاز باستمرار لأكثر من 20 دقيقة حيث قد يسبب ذلك ارتفاع درجة حرارة الجهاز والفسل. في مثل هذه الحالة لن يكون لك الحق في إصلاح الضمان. دع الجهاز يبرد لمدة لا تقل عن 20 دقيقة قبل استخدامه مرة أخرى.
- حرك الجهاز باستخدام مقابض النقل فقط. لا تستخدم أبداً خرطوم الهواء أو كابل الطاقة لتحريك الجهاز.
- كن حذراً عند تشغيل الجهاز، لأن بعض أجزائه يمكن أن تصبح ساخنة للغاية.
- لا تستخدم عوامل قابلة للاشتعال أو التآكل لتنظيف الجهاز.
- بعد الانتهاء من العمل، انتظر حتى يبرد الجهاز، وبعد أن يبرد فقط يمكن تعطيته أو وضعه في الغلاف الوقائي.

صيانة الجهاز

يجب أن يقوم بصيانة الجهاز موظفون مؤهلون باستخدام قطع الغيار الموصى بها. وهذا يضمن الحفاظ على سلامة جهازك.

الرموز المستخدمة في الدليل

تستخدم الرموز التالية في دليل التشغيل، يرجى تذكر معانيها. والتفسير الصحيح للرموز يسمح بالاستخدام الصحيح والأمن للجهاز.

تخصيص الجهاز

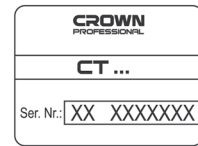
ويهدف ضاغط السيارة إلى نفخ إطارات السيارات والدراجات النارية والدراجات، ومختلف المعدات الرياضية.

مكونات الجهاز

- 1 مصباح LED
- 2 مفتاح تشغيل / إيقاف تشغيل مصباح LED
- 3 الجسم
- 4 مقبض الحمل
- 5 مقياس ضغط الغازات
- 6 مشبك "+"
- 7 مشبك "-"
- 8 كبل الطاقة

الرمز

ملصق الرقم التسلسلي:
CT ... - الطراز؛
XX - تاريخ التصنيع؛
XXXXXXX - الرقم التسلسلي.



اقرأ جميع لوائح السلامة والتعليمات.



لا تعمل في الأمطار أو الثلج.



العربية

مواصفات الجهاز

CT36036	CT36060	CT36059	مواصفات السيارة
421470	422569	422552	رمز الجهاز
12	12	12	الجهد الكهربائي مقنن [فولت]
200	120	60	أقصى قدرة [وات]
<18	<12	<6.5	أقصى تيار [أمبير]
45	30	13	الإنتاجية [لتر/دقيقة]
7 101.52	6.89 100	10.34 150	أقصى ضغط [ميغا باسكال] [بار]
<20	<20	<20	وقت التشغيل المتواصل [دقيقة]
-20°C ... +50°C	-20°C ... +50°C	-6°C ... +49°C	درجة الحرارة المحيطة [مئوية]
3.3 7.28	1.75 3.86	0.5 1.1	الوزن [كجم] [رطل]
85	80	85	ضغط الصوت [ديسيبل]

بطارية سيارتك منخفضة جدًا، فقد لا يكون جهد شبكة السيارة كافيًا للتشغيل الفعال للجهاز. في مثل هذه الحالة من المستحسن استخدام الجهاز عندما يكون محرك السيارة في وضع التشغيل.

معلومات الضجيج

ارتد دائمًا حماية للأذن إذا كان ضغط الصوت يتجاوز 85 ديسيبل.



تنبيه! يمنع منعًا باتًا بدء تشغيل محرك السيارة في غرف ليس بها تهوية كافية؛ فقد يسبب التسمم بغاز العادم والموت.



إعلان التوافق CE

نعن تحت مسؤوليتنا وحدنا أن المنتج الموصوف تحت عنوان "مواصفات الأجهزة" يتوافق مع جميع الأحكام ذات الصلة في التوجيهات 2006/42/EC، بما في ذلك التعديلات ويتوافق مع المعايير التالية: EN1012-1:2010, EN ISO 12100:2010 EN60204-1:2006/AC:2010.

Wu Cunzhen

Wu Cunzhen

المدير العام

Merit Link International AG
Stabio, Switzerland, 30.11.2018

إرشادات السلامة العامة

تنبيه! اقرأ هذه الإرشادات بعناية قبل استخدام الجهاز لأول مرة واتبع جميع القواعد والتوصيات المذكورة هنا. احتفظ بالتعليمات الأصلية لتكون مرجعًا في المستقبل أو للمالك المستقبلي.



بالإضافة إلى احتياطات السلامة الواردة في هذه الوثيقة، التزم بأنظمة السلامة القانونية العامة والمبادئ التوجيهية لمنع الحوادث.

• تم تصميم هذا الجهاز ليتم تشغيله فقط من مصدر طاقة 12 فولت تيار مستمر. لا تستخدم أي مصدر طاقة آخر ولا تغير تصميم الجهاز. إذا كان شحن

- تحقق من المنصهر المثبت في دائرة ولاعة السجائر. يجب أن يكون مصممًا لتحمل تيار لا يقل عن 10 أمبير (ويوصى بأن يكون 15 أمبير).
- لا تسمح بوصول الأوساخ أو الرماد أو الأجسام الغريبة إلى مقيس الولاة. يمكن أن تتسبب الأجسام الغريبة في الإخلال بالاتصال الكهربائي الموثوق به وزيادة حرارة مقيس الولاة مما يؤدي إلى حدوث الحرائق والإصابات.
- تأكد من أن كبل الطاقة وأسطوانات التمدد لن تتضرر عن طريق التعثر أو السحق أو التمدد أو غير ذلك. قم بحماية كابلات الطاقة من الحرارة ومنتجات النفط والأضرار الناجمة عن الحواف الحادة.
- يحظر استخدام الجهاز في الأماكن ذات الأجواء المترية، وكذلك مع الغلاف الجوي الذي يحتوي على الغازات المنفجرة وأبخرة المواد العدائية.
- قبل البدء في العمل، تأكد من أن الجهاز بعيد عن المواد القابلة للاشتعال ولا تمنعه من التبريد العادي عوامل خارجية.
- استخدم الجهاز وفقًا للغرض المقصود منه فقط. ضع في الاعتبار الظروف المحلية وانتبه إلى الأشخاص الآخرين حولك عند استخدام الجهاز.
- استخدم الجهاز فقط مع الملحقات المرفقة مع الجهاز.
- الغرض المقصود من الجهاز هو نفخ المواد المختلفة (إطارات السيارات، والمعدات الرياضية) فقط - لا تقم بتوصيل العدد الهوائية بالجهاز.
- الجهاز غير مخصص لنفخ المواد القابلة للنفخ الكبيرة مثل الأسيرة القابلة للنفخ والقوارب وغيرها.
- لا تستخدم الهواء المضغوط الذي ينتجه الجهاز لأغراض طبية أو صيدلانية.
- الجهاز غير مخصص لملء أسطوانات الهواء وإمدادات الهواء في أجهزة استقبال الهواء والخزانات وممتصات الصدمات.
- لا تترك الجهاز دون مراقبة عندما يكون في حالة العمل.
- يحظر استخدامه من قبل الأطفال. لا تدع الأطفال يلعبون بالجهاز.

العربية

اقدامات پیشگیرانه / نگهداری دستگاه

قبل از انجام هر گونه عملیات، ابزار را از سوکت فندک یا آکومولاتور خودرو جدا کنید.

تمیز کردن دستگاه

لازم است هر چند وقت یکبار سطح خارجی دستگاه را با یک برس نرم و دستمال تمیز کنید و با استفاده از هوای فشرده داخل قسمت های مختلف دستگاه بدمید. برای تمیز کردن دستگاه از مواد سوزاننده یا حلالها استفاده نکنید.

خدمات پس از فروش و سرویس دستگاه

خدمات پس از فروش ما به سوالات شما در رابطه با نگهداری و تعمیر محصول شما و همچنین قطعات یدکی پاسخ می دهد. اطلاعات مربوط به مرکز خدمات، نمودار قطعات و اطلاعات مربوط به قطعات یدکی نیز در وبسایت ذیل آمده است: www.crown-tools.com

- سوئیچ روشن / خاموش 2 را در موقعیت "ON" قرار دهید تا چراغ LED روشن شود (رجوع کنید به شکل 9.1).
- سوئیچ روشن / خاموش 2 را در موقعیت "OFF" قرار دهید تا چراغ LED خاموش شود (رجوع کنید به شکل 9.2).

توصیه های مربوط به اجرای دستگاه

قبل از شروع به کار

- در صورت لزوم شیلنگ اضافی 14 را به دستگاه متصل کنید (CT36036).
- اگر قصد دارید تجهیزات ورزشی را باد کنید، سر قابل تعویض 13 مناسب را جایگزین کنید.
- کابل برق 8 باید به طور کامل باز شود و پیچ و تابی نداشته باشد، این کار باعث بهبود کارکرد دستگاه می شود.

توصیه های کلی (شکل 9-3 را ببینید)

- **CT36059, CT36060** - فندک را بیرون کشیده و دوشاخه 17 را به سوکت فندک به صورتی که در شکل 3 نشان داده شده است، وارد کنید.
- **CT36036** - دستگاه را همانطور که در شکل 2 نشان داده شده است، به آکومولاتور خودرو وصل کنید. وقتی دستگاه را به آکومولاتور وصل می کنید، به قطب ها توجه کنید: گیره 6 ("+" با دسته های قرمز رنگ) باید به "+" خروجی آکومولاتور متصل شود؛ گیره 7 ("-") با دسته های سیاه رنگ) باید به - خروجی آکومولاتور متصل شود.
- سروالف 21 را از ولف تابر خودرو باز کنید (رجوع کنید به شکل 4.1, 6.1, 8.1).
- نازل 9 را به ولف تابر ببندید (رجوع کنید به شکل 4.2, 6.2, 8.2).
- دستگاه را روشن کنید.
- مادامی که که نشانگر های صفحه نمایش 16 (CT36059 CT36060) یا فشارسنج 5 (CT36036) را مشاهده می کنید، لاستیک را باد کنید. وقتی به فشار لازم رسیدید، دستگاه را خاموش کنید.
- نازل 9 را از تابر باز کنید.
- سروالف 21 را به ولف تابر ببندید.
- دستگاه را از سوکت فندک یا آکومولاتور خودرو جدا کنید.

حمل و نقل دستگاه

- **CT36036** - دستگاه را فقط از قسمت دسته 4 یا با بلند کردن آن و حمل از قسمت زیر دستگاه جابجا کنید. از سایر قسمت ها، دستگاه را بلند نکنید (با کشیدن شیلنگ ها یا کابل برق و غیره).
- مطلقاً هیچگونه ضربه مکانیکی به بسته بندی حین حمل و نقل وارد نشود.
- هنگام بارگیری و تخلیه بار استفاده از هرگونه تکنولوژی که بر اساس گیره بسته بندی است ممنوع می باشد.

محافظة زیست محیطی

مواد خام را به جای دفع به عنوان ضایعات بازیافت کنید.



دستگاه، قطعات و بسته بندی باید برای بازیافت سازگار با محیط زیست جدا شوند. اجزای پلاستیکی برای بازیافت طبقه بندی شده برچسب دارند. این دستورالعمل ها روی کاغذ بازیافت شده ای چاپ شده اند که بدون کلر تولید شده است.

تولید کننده مسئولیت احتمال تغییرات را بر عهده می گیرد.

فارسی

روشن / خاموش کردن دستگاه

[CT36059]

روشن کردن:

سوئیچ روشن / خاموش 11 را فشار داده و نگه دارید (شکل 4.3 را ببینید).

خاموش کردن:

سوئیچ روشن / خاموش 11 را فشار داده و نگه دارید (شکل 4.3 را ببینید).

[CT36036, CT36060]

روشن کردن:

سوئیچ روشن / خاموش 11 را در موقعیت "ON" قرار دهید (رجوع کنید به شکل 6.3, 8.3).

خاموش کردن:

سوئیچ روشن / خاموش 11 را در موقعیت "OFF" قرار دهید (رجوع کنید به شکل 6.4, 8.4).

3 بدنه

4 دسته حمل کننده

5 فشارسنج

6 گیره "+"

7 گیره "-"

8 کابل برق

9 نازل

10 شیلنگ هوا

11 سوئیچ روشن / خاموش

12 پشتیبان

13 سرهای قابل تعویض *

14 شیلنگ اضافی *

15 شیارهای تهویه

16 صفحه نمایش ال سی دی

17 دوشاخه

18 دکمه "-"

19 دکمه "Set"

20 دکمه "+"

21 سروالف *

ویژگی های طراحی دستگاه

* قطعات بدکی اختیاری

حفاظت حرارتی

تمامی قطعات بدکی شرح داده شده یا توصیف شده در تحویل دستگاه استاندارد ارائه نمی شوند.

حفاظت حرارتی از خسارت به دستگاه جلوگیری می کند، در زمان بارگیری بیش از حد و داغ شدن بیش از حد آن را خاموش می کند. هنگامی که حفاظت حرارتی فعال می شود، دستگاه را از برق جدا کنید، علتی را که باعث تحریک سیستم حفاظت شده، از بین ببرید و اجازه دهید دستگاه خنک شود، و سپس به کار خود ادامه دهید.

انتخاب واحدهای اندازه گیری

[CT36060]

دکمه 19 را فشار داده و نگه دارید. واحدهای اندازه گیری منتخب روی ال سی دی 16 (psi, kPa, bar) نمایش داده شده است.

تنظیمات فشار

[CT36060]

دکمه 18 یا 20 را فشار دهید تا فشار دلخواه تنظیم شود، و سپس دکمه 19 را فشار دهید تا این مقدار ثابت شود. وقتی دستگاه به فشار مورد نظر رسید، ابزار به صورت خودکار خاموش می شود.

چراغ LED (به شکل 5, 7, 9 رجوع کنید)

چراغ 1 LED، امکان کار کردن در فضاهای کم نور را برای شما فراهم می کند.

[CT36060, CT36059]

- سوئیچ روشن / خاموش 2 چراغ LED ال ای دی را فشار داده و نگه دارید تا چراغ ال ای دی روشن شود (شکل 7, 5 را ببینید).
- سوئیچ روشن / خاموش 2 چراغ LED ال ای دی را فشار داده و نگه دارید تا چراغ ال ای دی خاموش شود (شکل 7, 5 را ببینید).

فارسی

نصب و مقررات عوامل دستگاه

قبل از انجام هر گونه عملیات، ابزار را از سوکت فندک یا آکومولاتور خودرو جدا کنید.



قطعات چفت را بسیار محکم نکشید تا به شیار داخل پیچ صدمه وارد نشود.

نصب لوازم جانبی / تعویض (شکل 1 را ببینید)

[CT36060, CT36059]

یکی از سرهای قابل تعویض 13 را مطابق شکل 1 به نازل 9 متصل یا از آن جدا کنید.

[CT36036]

شیلنگ 14 یا یکی از سرهای قابل تعویض 13 را به صورتی که در شکل 2 نشان داده شده است، به نازل 9 متصل یا از آن جدا کنید.

اجرای اولیه دستگاه

- اطمینان حاصل کنید که ولتاژ شبکه خودرو با اطلاعات نشان داده شده در ضمیمه دستگاه سازگار است.
- کابل برق 8 را بررسی کنید. در صورتی که آسیب دیده است، آن را جایگزین کنید.
- شیلنگ هوا 10 یا شیلنگ اضافی 14 را بررسی کنید. آنها را در صورتی که آسیب دیده است، تعویض کنید.

معنا	علام
تمامی قوانین ایمنی و دستورالعمل ها را مطالعه کنید.	
در برف یا باران کار نکنید.	
جهت حرکت.	
جهت چرخش.	
قفل شد.	
قفل باز شد.	
سوکت فندک.	
علامتی که تأیید می کند محصول با مقررات اساسی قوانین اتحادیه اروپا و استانداردهای هماهنگی اتحادیه اروپا مطابقت دارد.	
توجه. مهم.	
اطلاعات مفید.	
دستگاه را در محفظه زباله خانگی دفع نکنید.	

خصوصیات دستگاه

کمپرسور خودرو برای باد کردن تایر وسیله نقلیه، موتور سیکلت و دوچرخه و تجهیزات ورزشی مختلف در نظر گرفته شده است.

اجزای دستگاه

- 1 چراغ LED
- 2 سوییچ روشن / خاموش چراغ LED

- این دستگاه برای پر کردن سیلندرهای هوا، تأمین هوای گیرنده های هوا، مخازن و کمک فنرها طراحی نشده است.
- هنگام استفاده از دستگاه، آن را به حال خود رها نکنید.
- استفاده از دستگاه توسط کودکان اکیداً ممنوع است. اجازه ندهید کودکان با دستگاه بازی کنند.
- از حضور حیوانات در اطراف محل کار کردن با دستگاه، جلوگیری کنید.
- کار کردن با دستگاه توسط اشخاصی (از جمله کودکان) با توانایی فیزیکی محدود، حساس یا ظرفیت ذهنی محدود اکیداً ممنوع است، مگر اینکه تحت نظارت باشند یا توسط کارکنان مسئول امنیت، در خصوص استفاده از دستگاه آموزش دیده باشند.
- در هنگام کار کردن با دستگاه و انجام هر عملی مراقب باشید و خوب تمرکز کنید. اگر خسته هستید یا تحت تأثیر مواد، الکل یا دارو هستید، از دستگاه استفاده نکنید. از دست دادن توجه در حین کار ممکن است باعث بروز صدمات جدی شود.
- در هنگام رعد و برق، باران یا برف سنگین از دستگاه استفاده نکنید.
- با دست های خیس به دستگاه در حال کار دست نزنید.
- دستگاه یا قطعات آن را در آب یا سایر مایعات فرو نبرید.
- برای پیشگیری از حوادث یا صدمات ناشی از واژگون شدن دستگاه، از ثابت بودن آن هنگام کار، اطمینان حاصل کنید. استفاده از دستگاه در مکان مرتفع مثلاً روی گلگیر خودرو یا در حالت آویخته اکیداً ممنوع است.
- از میزان حداکثر فشار لاستیک یا فشار باد برای سایر محصولات بادی، نباید تجاوز کنید (حداکثر فشار معمولاً بر روی لاستیک یا تجهیزات ورزشی ذکر شده است).
- بیش از 20 دقیقه به طور مداوم از دستگاه استفاده نکنید، چون ممکن است باعث داغی بیش از حد دستگاه و خرابی آن شود. در این صورت، این مشکل مشمول تعمیر تحت گارانتی نمی شود. قبل از استفاده دوباره، اجازه دهید دستگاه 20 دقیقه خنک شود.
- دستگاه را با استفاده از دستگیره های حمل و نقل جابجا کنید. هرگز از شیلنگ هوا یا کابل برق برای حرکت دادن دستگاه استفاده نکنید.
- هنگام استفاده از دستگاه، مراقب باشید، زیرا برخی از قطعات آن بسیار داغ می شوند.
- برای تمیز کردن دستگاه از مواد قابل اشتعال یا مواد خورنده استفاده نکنید.
- پس از اتمام کار، صبر کنید تا دستگاه خنک شود، فقط بعد از خنک شدن آن می توانید آن را ببوشانید یا در پوشش محافظ قرار دهید.

تعمیر و نگهداری محصول

تعمیرات دستگاه شما باید توسط افراد ذیصلاح و با استفاده از قطعات یدکی توصیه شده صورت گیرد. این امر تداوم ایمنی دستگاه شما را تضمین می کند.

علامت مورد استفاده در کتابچه راهنما

علامت ذیل در کتابچه راهنمای اجرای دستگاه به کار رفته اند، لطفاً مهنای آنها را به یاد نگه دارید. تفسیر صحیح علامت امکان استفاده صحیح و ایمن از دستگاه را فراهم می کنند.

معنا	علام
برچسب شماره سریال:	
CT ... - مدل؛	
XX - تاریخ تولید؛	
XXXXXXX - شماره سریال.	

فارسی

مشخصات دستگاه

CT36036	CT36060	CT36059	کمپرسور خودرو
421470	422569	422552	کد دستگاه
12	12	12	ولتاژ اسمی [ولت]
200	120	60	حداکثر قدرت [وات] [اسب بخار]
<18	<12	<6.5	حداکثر جریان [آمپر]
45	30	13	بهره وری [لیتر / دقیقه]
7 101.52	6.89 100	10.34 150	حداکثر فشار [مگا پاسکال] [بار]
<20	<20	<20	زمان عملکرد مداوم [دقیقه]
-20°C ... +50°C	-20°C ... +50°C	-6°C ... +49°C	دمای محیط [درجه سانتیگراد]
3,3 7.28	1,75 3.86	0,5 1.1	وزن [کیلوگرم] [پوند]
85	80	85	فشار صدا [دسی بل (آمپر)]

طراحی دستگاه را نیز تغییر ندهید. اگر شارژر آکومولاتور شما بسیار کم است، ولتاژ شبکه خودرو ممکن است برای عملکرد مؤثر دستگاه ناکافی باشد. در چنین وضعیتی توصیه می شود هنگامی که موتور خودرو روشن است، از دستگاه استفاده کنید.

توجه! روشن کردن موتور خودرو در فضاهایی که از تهویه کافی برخوردار نیستند، اکیداً ممنوع است؛ این کار ممکن است باعث تجمع گاز سمی اکزوز در محیط شده و باعث مرگ شود.



- فیوز نصب شده درون مدار فندک را بررسی کنید. این فیوز باید برای جریان حداقل 10 آمپر (15 آمپر توصیه می شود) طراحی شده باشد.
- اجازه ندهید گردوغبار، خاکستر یا اجسام خارجی وارد سوکت فندک شود. اجسام خارجی ممکن است باعث اختلال در ایمنی جریان برق شوند و باعث داغ شدن بیش از حد سوکت فندک و آتش سوزی و آسیب شوند.
- اطمینان حاصل کنید که کابل برق و کابل های اضافی در اثر گیر کردن، فشرده شدن، کشیده شدن یا غیره آسیب نبینند. کابل های برق را در برابر گرما، محصولات روغنی و آسیب های ناشی از لیه های نیز محافظت کنید.
- استفاده از دستگاه در مکان های دارای گرد و غبار و همچنین در فضاهای حاوی گاز های منفجر شونده و بخارات ناشی از مواد واکنش زا است ممنوع است.
- قبل از شروع کار، اطمینان حاصل کنید که دستگاه دور از مواد اشتعال زا قرار دارد و عوامل خارجی مانع خنک شدن دستگاه به صورت طبیعی نباشند.
- از دستگاه فقط مطابق با کاربری در نظر گرفته شده برای آن استفاده کنید. شرایط محیطی را در نظر بگیرید و هنگام استفاده از دستگاه مراقب افراد دیگر در اطراف باشید.
- از دستگاه فقط با لوازم جانبی عرضه شده همراه آن، استفاده کنید.
- این دستگاه فقط برای باد کردن برخی موارد (تایر خودرو، تجهیزات ورزشی) در نظر گرفته شده است - ابزار های بادی را به دستگاه متصل نکنید.
- این دستگاه برای باد کردن لوازم بادی بزرگ مانند تخت های بادی، قایق ها و غیره طراحی نشده است.
- از هوای فشرده تولید شده توسط دستگاه برای مصارف پزشکی یا دارویی استفاده نکنید.

اطلاعات سروصدا

در صورتی که فشار صدا بیش از 85 dB(A) بود همیشه از محافظ گوش استفاده کنید.



بیانیه مطابقت

اعلام می کنیم که تنها مسئولیت ما که تحت "مشخصات دستگاه" تعریف شده است با تمامی شروط مربوطه از قوانین 2006/42/EC شامل موارد ذیل مطابقت دارد: EN ISO 12100:2010, EN 1012-1:2010, EN60204-1:2006/AC:2010

Wu Cunzhen

Wu Cunzhen

مدیر عامل

Merit Link International AG
Stabio, Switzerland, 30.11.2018

دستورالعمل های عمومی ایمنی

توجه! این دستورالعمل ها را به دقت پیش از استفاده از دستگاه برای اولین بار مطالعه کنید و تمامی قوانین و توصیه های شرح داده شده در اینجا را دنبال کنید.



دستورالعمل های اصلی را برای مالک آینده یا مراجعات بعدی نگهداری کنید.

علاوه بر احتیاط های ایمنی موجود در اینجا، قوانین ایمنی قانونی عمومی و دستورالعمل های پیشگیری از صدمات را رعایت کنید.

- این دستگاه طوری طراحی شده است که فقط می تواند از منبع برق با جریان مستقیم 12 ولت تغذیه شود. از منبع تغذیه دیگری استفاده نکنید و

فارسی



Manual_Vehicle compressors_11.2018_INT-07-STD_v.3.2

Merit Link International AG
P.O. Box 641, CH-6855 Stabio
Switzerland
www.meritlink.com